

3836 Series

SMT USB C-Type 2x12 Pin Socket Top Entry

General specifications

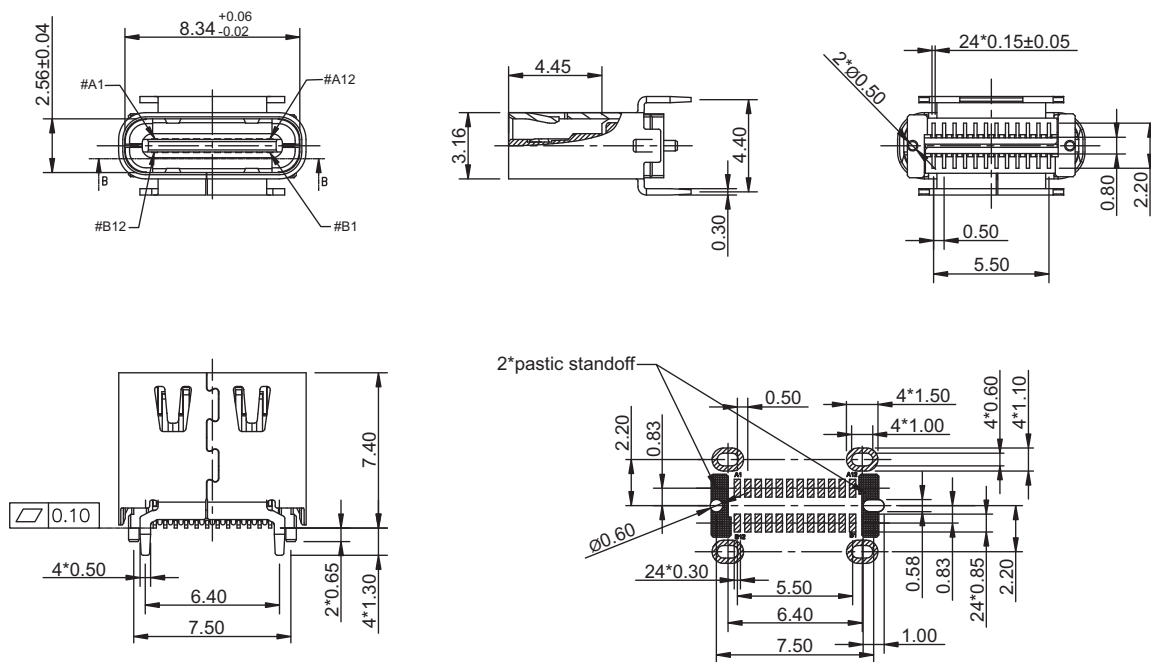
| | |
|---------------------------|---|
| Insulator material | High temperature plastic, color: black |
| Contact material | Copper alloy |
| Current rating | 5 A combined at 4 VBus pin, 1.25 A at VCONN pin, 0.25 A at all other pin |
| Voltage rating | 20 V AC/DC |
| Insulator resistance | 100 MΩ min. |
| Dielectrical withstanding | 100 VAC for 1 min |
| Operating temperature | -40 °C to +105 °C |
| Durability | 10000 cycles |
| Soldering | JEDEC lead free reflow soldering process |

Mating parts series



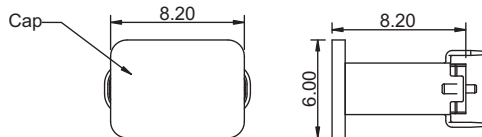
Mechanical dimensions

Unit: mm



Recommended P.C.B. layout
top view, tolerances: ±0.05
P.C.B. thickness: 1.00±0.05

| Pin no. | Signal name | Pin no. | Signal name |
|---------|-------------|---------|-------------|
| A1 | GND | B12 | GND |
| A2 | SSTXp1 | B11 | SSRXp1 |
| A3 | SSTXn1 | B10 | SSRXn1 |
| A4 | Vbus | B9 | Vbus |
| A5 | CC1 | B8 | SBU2 |
| A6 | Dp1 | B7 | Dn2 |
| A7 | Dn1 | B6 | Dp2 |
| A8 | SBU1 | B5 | CC2 |
| A9 | Vbus | B4 | Vbus |
| A10 | SSRXn2 | B3 | SSTXn2 |
| A11 | SSRXp2 | B2 | SSTXp2 |
| A12 | GND | B1 | GND |



| Tolerances | |
|------------|------------|
| Linear | X ± 0.30 |
| | .XX ± 0.20 |

Part numbering guide

| | | | |
|-------------------------------|-----------------------------------|--------------------|---------------------|
| 3836 V | J | B | R |
| Series V = Vertical socket | Contact plating J = 30 μ" gold | Color B = Black | Packing R = Reel |

* standard

