

49100 Series BNC Female Right Angle Metal Type

General specifications

Insulator material	PP, UL94-HB
Body material	Zinc alloy, plating: nickel
Contact material	Phosphor bronze, plating: gold at contact area
Mounting material	Brass, plating: tin
Contact resistance	3 mΩ max.
Insulator resistance	5000 MΩ min.
Frequency range	0 to 1 GHz
Dielectrical withstanding	1500 VAC for 1 min
Operating temperature	-65 °C to +165 °C
Durability	500 cycles

Mating parts series

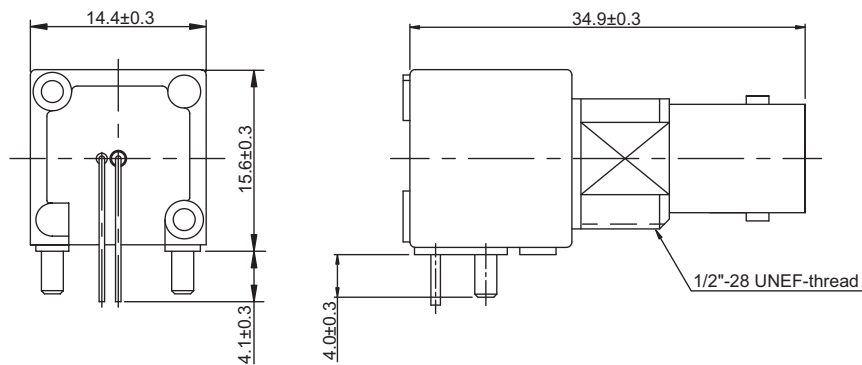


RoHS
compliant

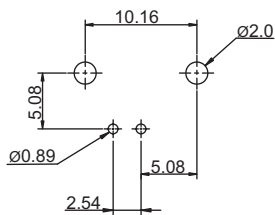
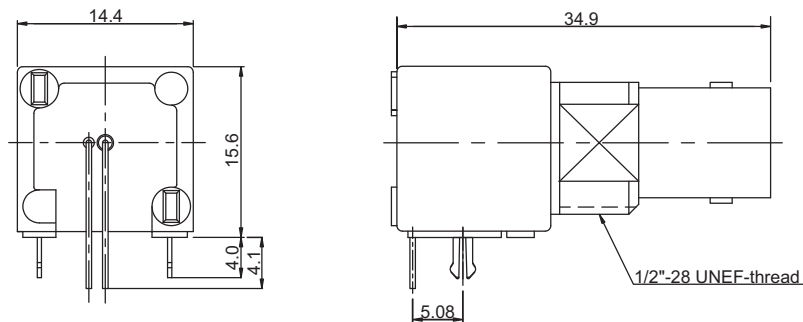
Mechanical dimensions

Unit: mm

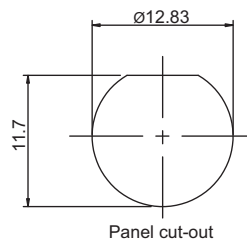
49100P w/ post



49100K w/ hook



Recommended P.C.B. layout



Panel cut-out

Tolerances		
Linear	.X	± 0.30
	.XX	± 0.10

Part numbering guide

49100	K	50
Series	Mounting option K = w/ hook P = w/ post	Impedance 50 = 50 Ω 75 = 75 Ω

* standard

