

### General specifications

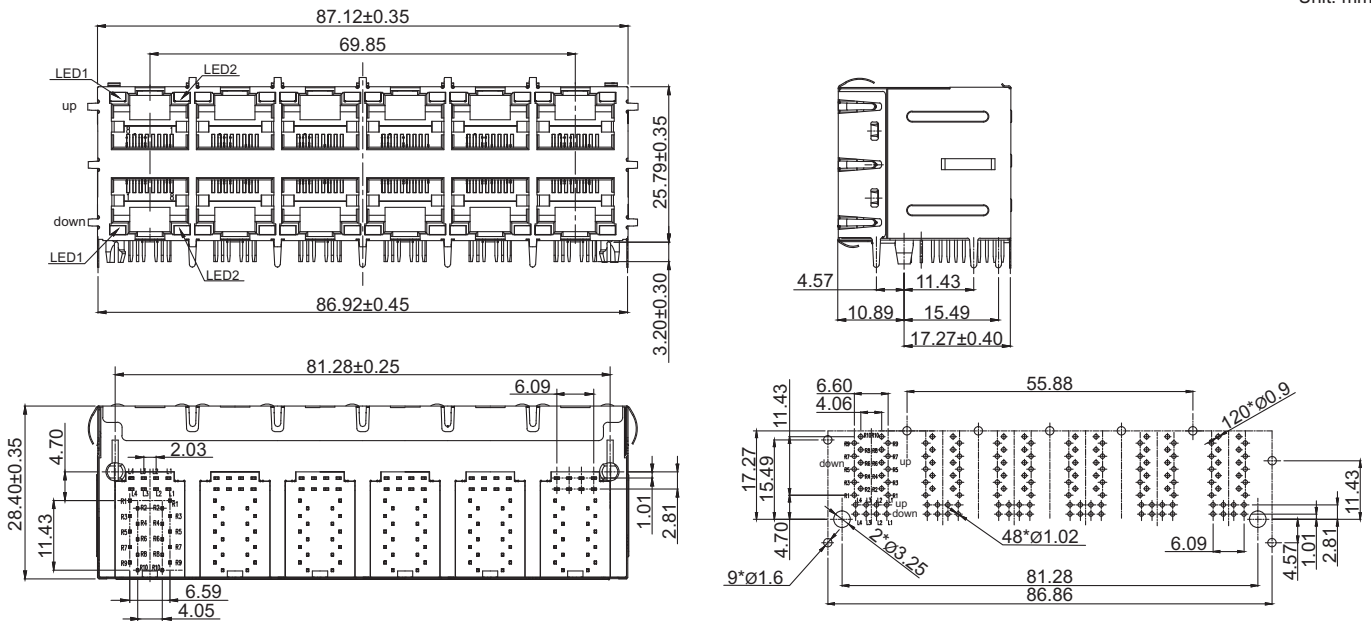
Insulator material	High temperature plastic, UL94V-0
Contact material	Phosphor bronze
Contact plating	Gold over nickel
Shield material	Brass, plating: nickel
Insulator resistance	500 MΩ min.
Dielectrical withstanding	1500 VAC for 1 min
Operating temperature	-40 °C to +85 °C
Complies with	IEEE 802.3u
Soldering	Lead free wave soldering process

### Mating parts series

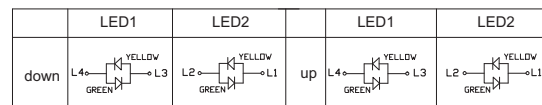
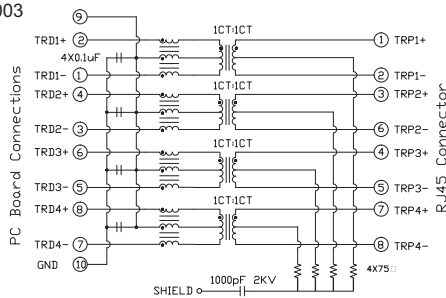


### Mechanical dimensions

Unit: mm



### Schematic: 1003



Note: other schematics and LED polarity on customer request

Turns ratio	Inductance	Insertion loss	Return loss		Cross talk	Common mode
		1 - 100 MHz	30 - 60 MHz	60 - 80 MHz	1 - 100 MHz	1 - 100 MHz
1:1	350 µH min. @ 0.1 V, 100 KHz, 8 mA DC Bias	-1.1 dB max.	-16 dB min.	-12 dB min.	-30 dB min.	-20 dB min.

Tolerances		
Linear	X	± 0.20
	XX	± 0.15
	XXX	± 0.10

### Part numbering guide

<b>6999 6</b>	<b>C</b>	<b>1003</b>	<b>D</b>	<b>D</b>	<b>3</b>
Series 6 = 2x6 ports	Contact plating C = 3 µ" gold D = 6 µ" gold F = 15 µ" gold J = 30 µ" gold	Schematic	Color LED1 D = Green/Yellow* G = Green R = Red Y = Yellow	Color LED2	Ground spring 3 = w/ top and side spring

\* standard

