

5995 Series

AC Outlet Socket w/ Snap-In

General specifications

Insulator material	Thermoplastic, UL94V-2 to UL94V-0
Current rating	10 A
Voltage rating	250 VAC
Insulator resistance	100 MΩ min.
Dielectrical withstanding	2000 VAC for 1 min
Operation temperature	-25 °C to +85 °C
Soldering	Lead free soldering process

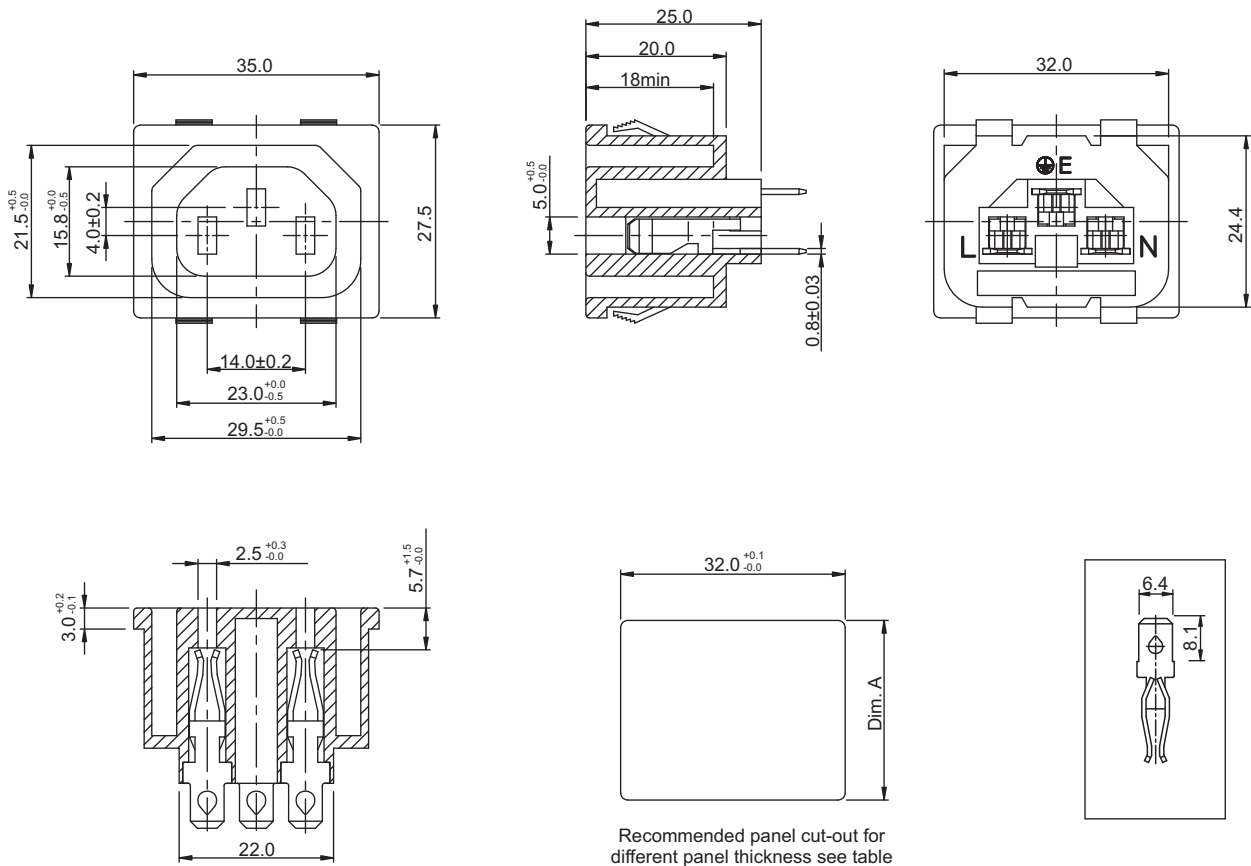
Safety approvals available, certificates on request

Mating parts series



Mechanical dimensions

Unit: mm



Tolerances	
Linear	XX.XX ± 0.20
	X.XX ± 0.10

Panel cut-out	
Thickness	Dim. A
0.8 to 1.0	25.00
1.0 to 1.2	25.20
1.2 to 1.5	25.50
2.00	25.70
3.00	25.70

Part numbering guide

5995 A

Series

V0

Material

V0 = UL94V-0

V1 = UL94V-1

V2 = UL94V-2

* standard

