

49022 Series SSMA Plug Straight Solder

General specifications

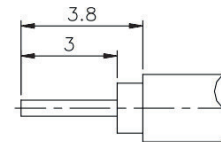
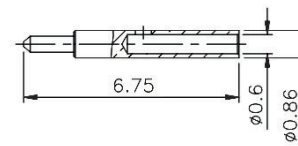
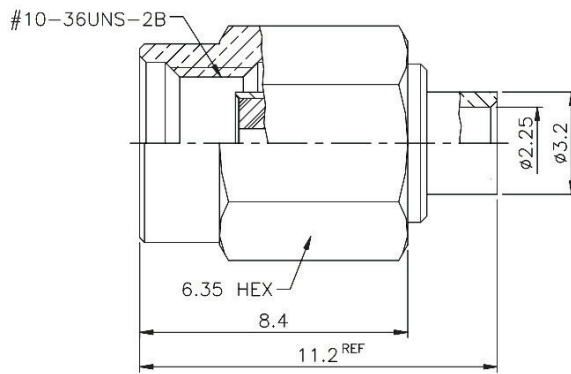
Insulator material	Teflon
Body material	Brass, plating: 3 μ " gold
Center contact material	Brass, plating: 30 μ " gold
Crimp ferrules	Annealed brass, plating: 3 μ " gold
Contact / insulator resistance	Center: 6 m Ω max., outer: 2.5 m Ω max. / 1000 M Ω min.
Dielectrical withstanding	750 VAC for 1 min.
Impedance / Frequency range	50 Ω / 0 to 18 GHz
VSWR	1.2 + 0.033 F (GHz) max.
Operating temperature	-55 °C to +105 °C
Durability	500 cycles

Mating parts series



Mechanical dimensions

Unit: mm



Tolerances	
Linear	< 6 ± 0.20
	6 to 30 ± 0.40
	> 30 ± 0.60

Part numbering guide

49022

Series

G

Cable

G = 0.085", 0.086"

* standard

