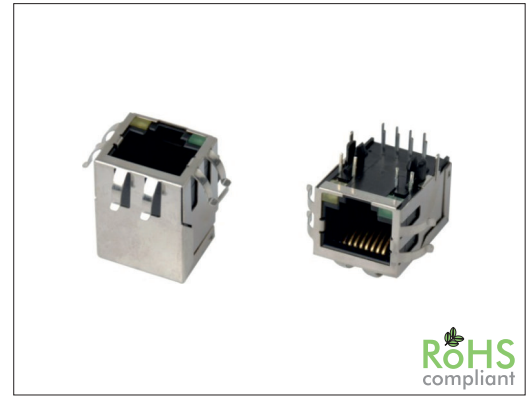


67342 Series RJ45 8P LED Side Entry CAT.5 Shielded

General specifications

Insulator material	High temperature plastic, UL94V-0
Contact material	Phosphor bronze, plating: gold over nickel
Current / voltage rating	1.5 A / 125 VAC
Contact resistance	60 mΩ max
Insulator resistance	1000 MΩ min.
LED rating	Forward: 2.2 V / reverse: 5 V
Dielectrical withstanding	1000 VAC for 1 min
Durability	750 cycles
Operation temperature	-40 °C to +85 °C
Soldering	Lead free wave soldering process

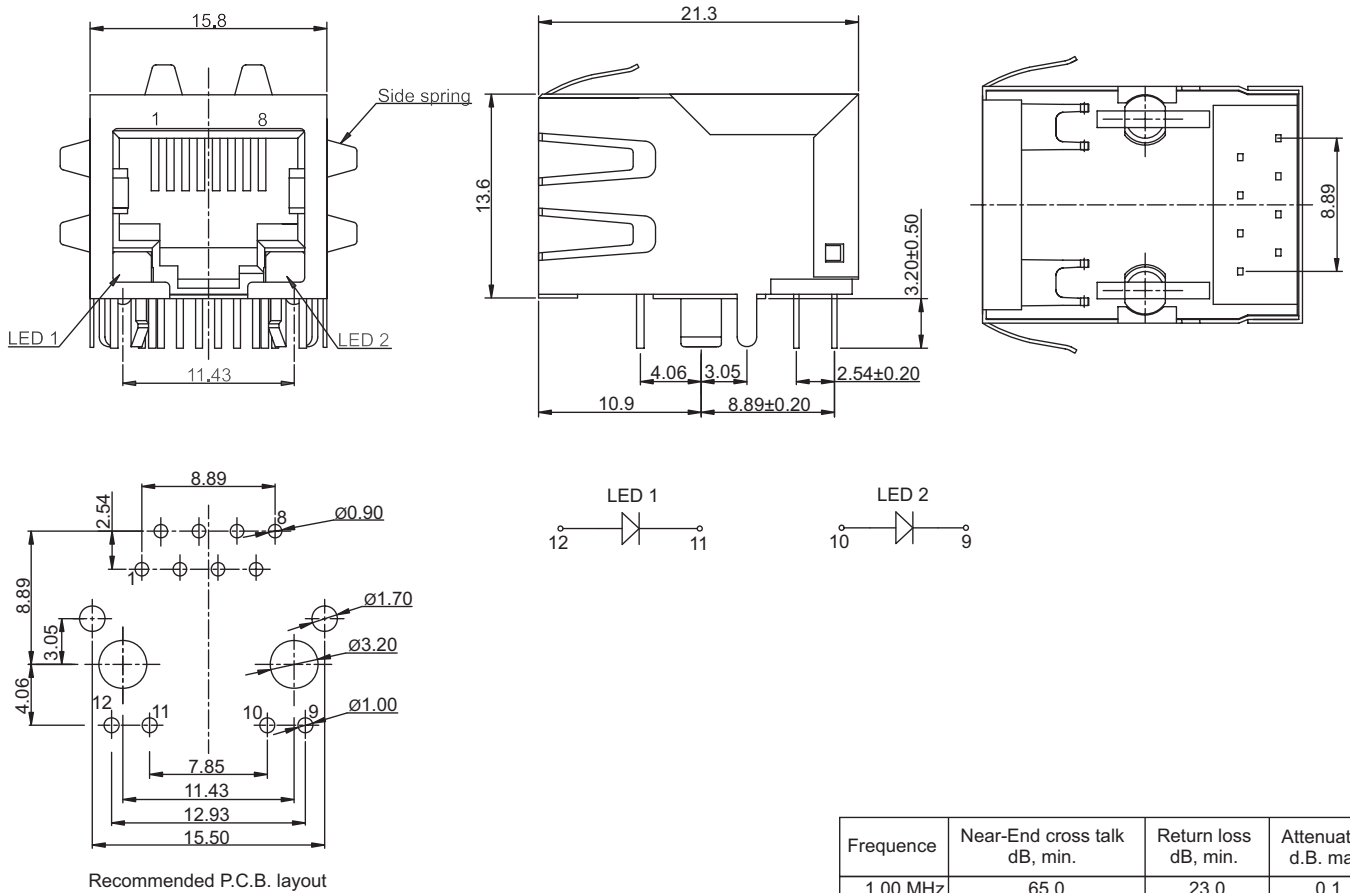
Mating parts series



RoHS compliant

Mechanical dimensions

Unit: mm



Frequency	Near-End cross talk dB, min.	Return loss dB, min.	Attenuation d.B. max.
1.00 MHz	65.0	23.0	0.1
4.00 MHz	65.0	23.0	0.1
8.00 MHz	64.9	23.0	0.1
10.00 MHz	63.0	23.0	0.1
16.00 MHz	58.9	23.0	0.2
20.00 MHz	57.0	23.0	0.2
25.00 MHz	55.0	23.0	0.2
31.25 MHz	53.1	14.0	0.2
62.50 MHz	47.1	14.0	0.3
100.00 MHz	43.0	14.0	0.4

Tolerances		
Linear	X.	± 0.20
	.X	± 0.15
	.XX	± 0.10

Part numbering guide

67342	C	G	Y	0
Series	Contact plating C = 3 μ" gold D = 6 μ" gold F = 15 μ" gold J = 30 μ" gold K = 50 μ" gold	Color LED1 D = Green/yellow G = Green R = Red Y = Yellow	Color LED2	Ground spring 0 = w/o spring 1 = Top spring 2 = Side spring 3 = Top and side spring

* standard

