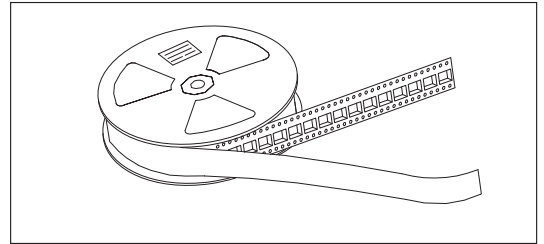


1171 Series

1.27 x 1.27 mm SMT Box Header

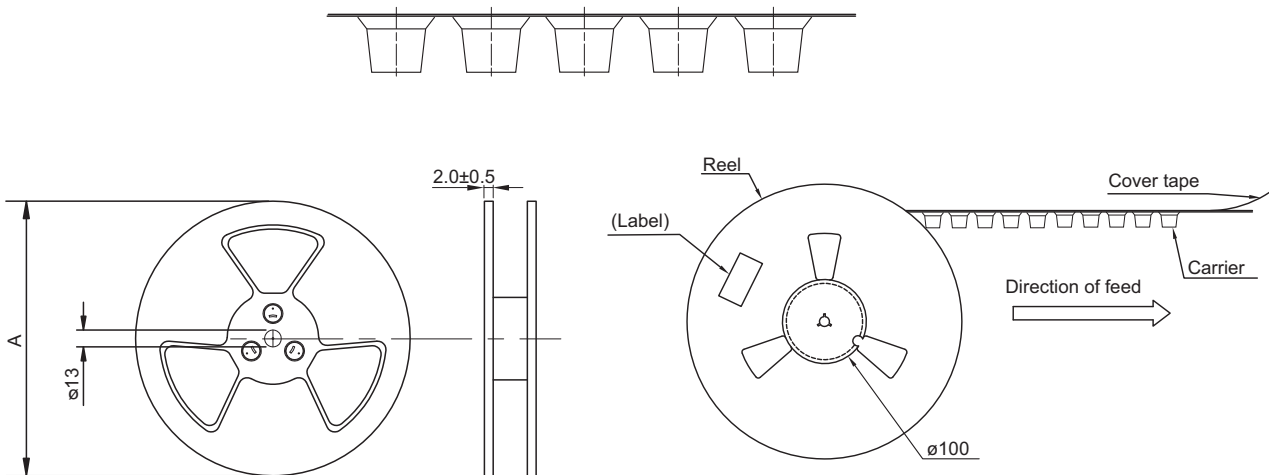
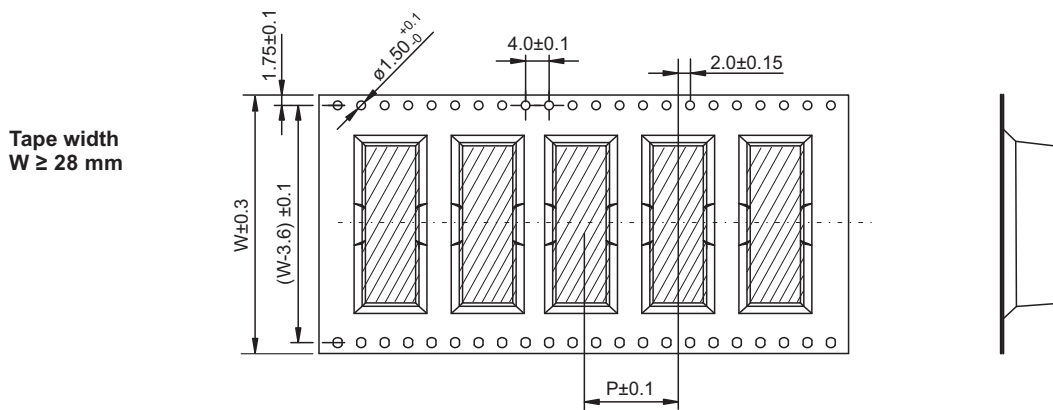
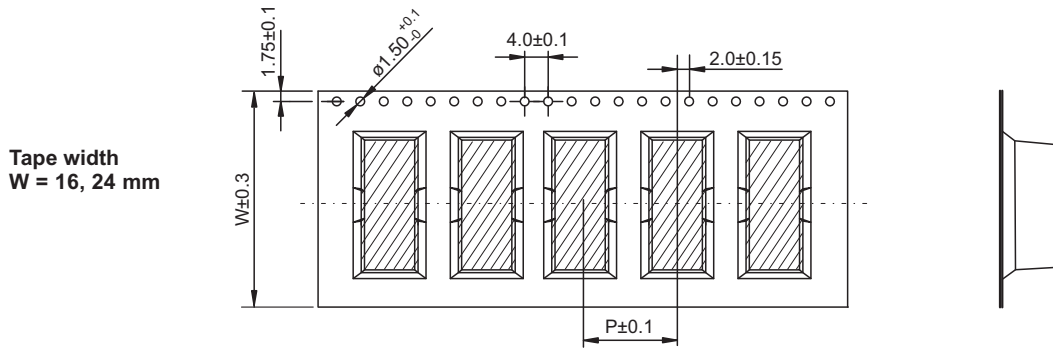
Materials

Carrier	PS tape, thickness: 0.50 mm
Cover tape	Transparent PE tape, thickness: 0.045 to 0.120 mm
Reel	Plastic wheel



Reel and tape dimensions

Unit: mm



Reel and tape dimensions				
No of contacts	A	W	P	Qty.
06 to 10	330	24	12	750
12 to 16	330	t.b.d.	12	750
18 to 20	330	32	12	750
22 to 100	330	t.b.d.	12	750

