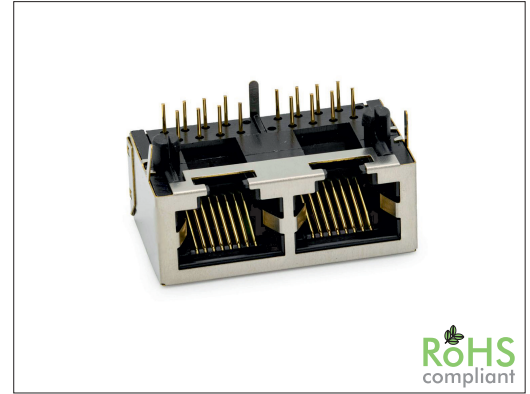


65730 Series Dual RJ45 10P Side Entry Shielded

General specifications

Insulator material	PBT, UL94V-0, color: black
Contact material	Phosphor bronze
Current rating	1.5 A
Voltage rating	125 VAC
Contact resistance	35 mΩ max.
Insulator resistance	1000 MΩ min.
Dielectrical withstanding	1000 VAC for 1 min
Operating temperature	-40 °C to +85 °C
Soldering	Lead free wave soldering process
Durability	750 cycles

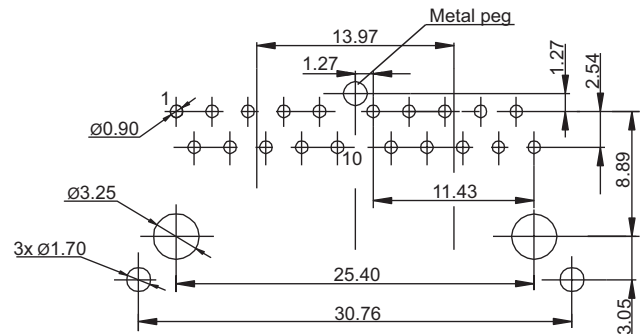
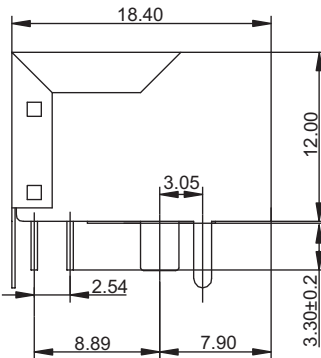
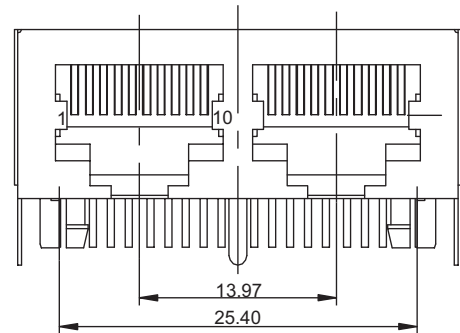
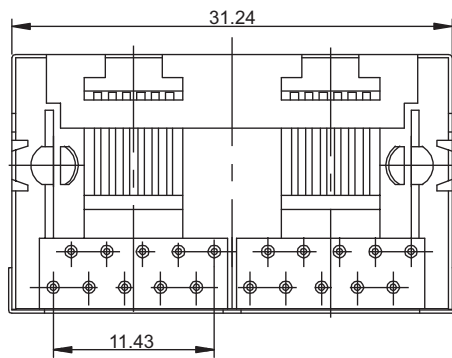
Mating parts series



RoHS
compliant

Mechanical dimensions

Unit: mm



Recommended
P.C.B. layout

Tolerances

Linear	X	± 0.20
	.XX	± 0.15
	.XXX	± 0.10

Part numbering guide

65730

C

8

A

0

Series

Contact plating

C = 3 μ" gold K = 50 μ" gold

D = 6 μ" gold

F = 15 μ" gold

J = 30 μ" gold

No. of contacts

8 = 8

1 = 10

Ground pin

A = Type A

Metal back peg

0 = w/o peg

1 = w/ peg

* standard

