

# 0724 Series

# SIM Card 6/8 Pin, SMT

### General specifications

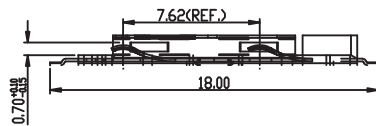
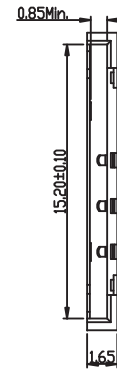
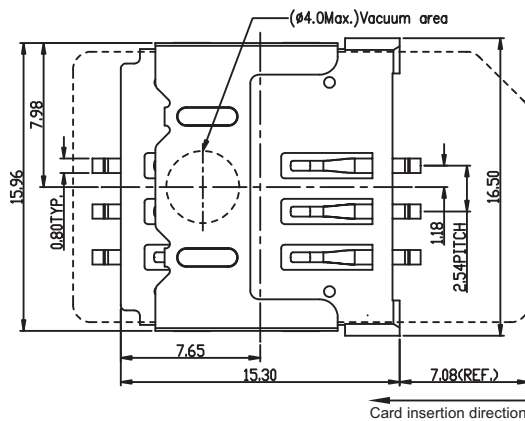
Insulator material	High temperature thermoplastic, UL94V-0
Contact material	Phosphor bronze, plating: gold over nickel
Current rating	1 A
Voltage rating	30 V AC/DC
Contact resistance	100 mΩ max.
Insulator resistance	1000 MΩ @ 500 VDC
Dielectrical withstanding	500 VAC for 1 min
Operating temperature	-40 °C to +85 °C
Durability	5000 cycles
Soldering	JEDEC lead free reflow soldering process

### Mating parts series

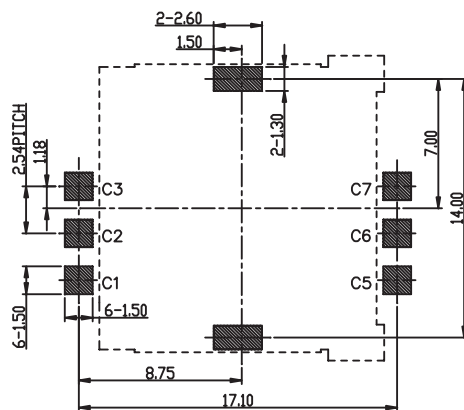


### Mechanical dimensions

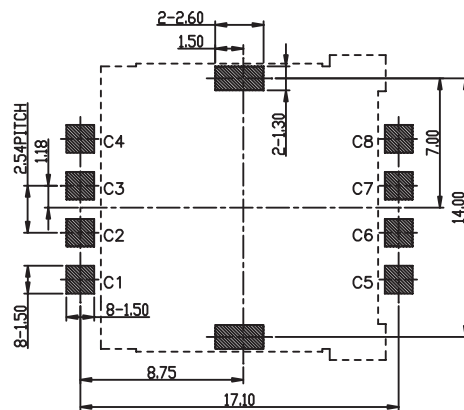
Unit: mm



optional with position pegs



Recommended P.C.B. layout 6 pin



Recommended P.C.B. layout 8 pin

Tolerances	
Linear	± 0.15

### Part numbering guide

<b>0724</b>	<b>D</b>	<b>06</b>	<b>0</b>	<b>R</b>
Series	Contact plating D = 5 μm gold	No. of data contacts 06 = 6 08 = 8	Position pegs 0 = w/o pegs 1 = w/ pos. pegs	Packing R = Reel T = Tube

\* standard

