

49652 Series SMB Plug Straight Crimp

General specifications

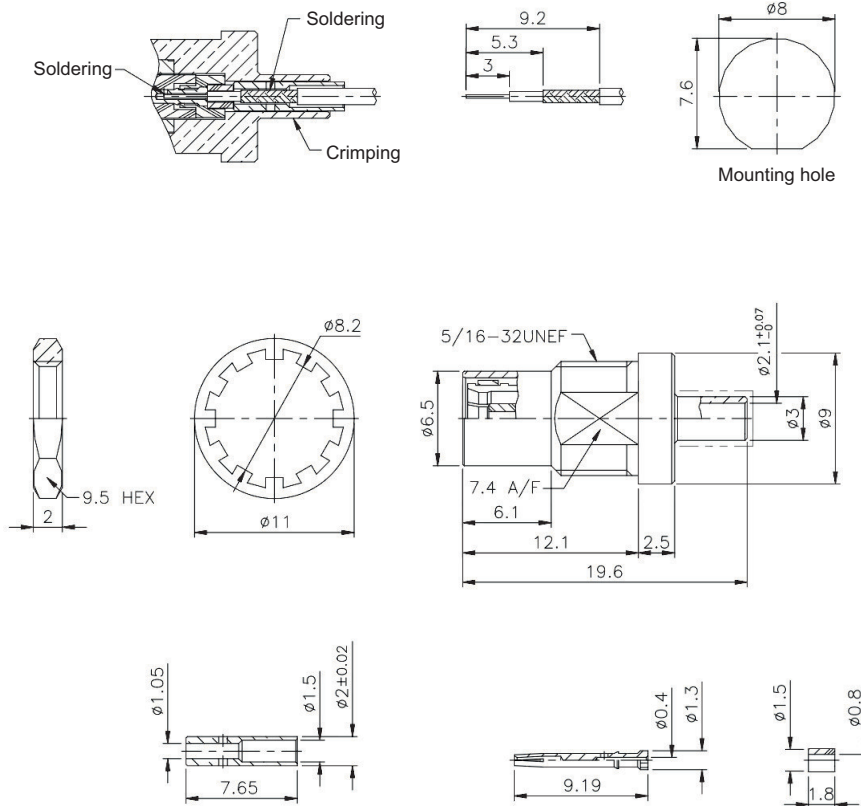
Insulator material	Teflon
Center contact material	Beryllium copper, plating: gold
Body material	Brass, plating: gold
Crimp ferrules	Annealed brass, plating: gold
Impedance	50 Ω
Frequency range	0 to 4 GHz
VSWR	1.3 max.
Contact resistance	Center: 6 mΩ max. / outer: 2.5 mΩ max.
Insulator resistance	1000 MΩ min.
Operation temperature	-65 C to +165 C
Durability	500 cycles



RoHS
compliant

Mechanical dimensions

Unit: mm



Tolerances

Linear	<6	± 0.2
	6 to 30	± 0.4
	>30	± 0.6

Part numbering guide

49652	F	50
Series	Cable F = 1.13 mm, 1.32 mm, 1.5 mm	Impedance 50 = 50 Ω

* standard

