

2200 Series

2.00 mm Housing and Terminal

General specifications

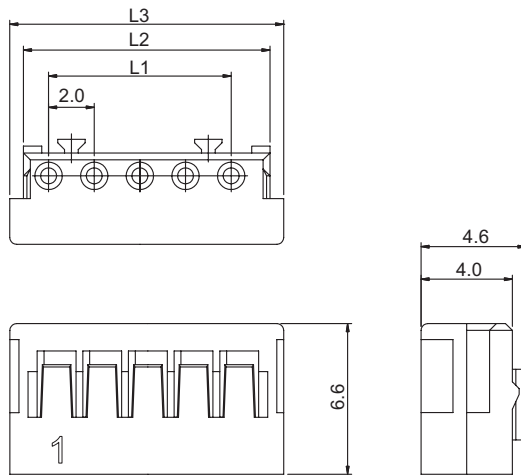
Insulator material	Nylon 66, UL94V-0, color: natural
Contact material	Phosphor bronze, plating: tin
Current rating	4 A
Volage rating	125 V AC/DC
Contact resistance	10 mΩ max.
Insulator resistance	1000 MΩ min.
Dielectrical withstanding	1000 VAC for 1 min
Operating temperature	-30 °C to +105 °C
Mating parts series	
2200-R, 2200-S	



Mechanical dimensions

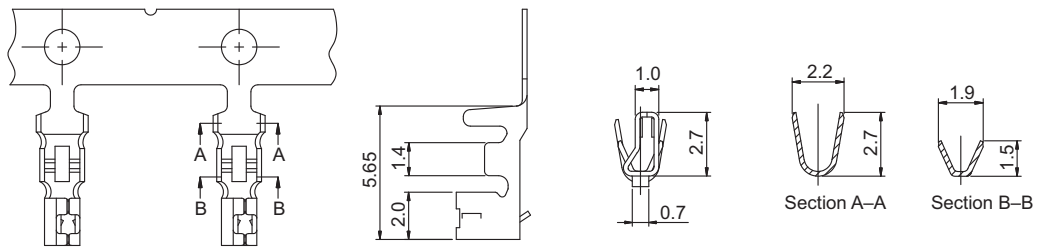
Unit: mm

2200P



L1 = No. of contacts x 2.00 - 2.00
 L2 = No. of contacts x 2.00 + 0.80
 L3 = L2 + 1.20

2200T



Wire range: AWG 22 to 26

Tolerances

Linear	X	± 0.25
	.XX	± 0.12
	.XXX	± 0.08

Part numbering guide

2200 P

02

Series
 P = Housing
 T = Terminal

No. of contacts
 02 to 15
 (leave blank for terminal)

* standard

