

## General specifications

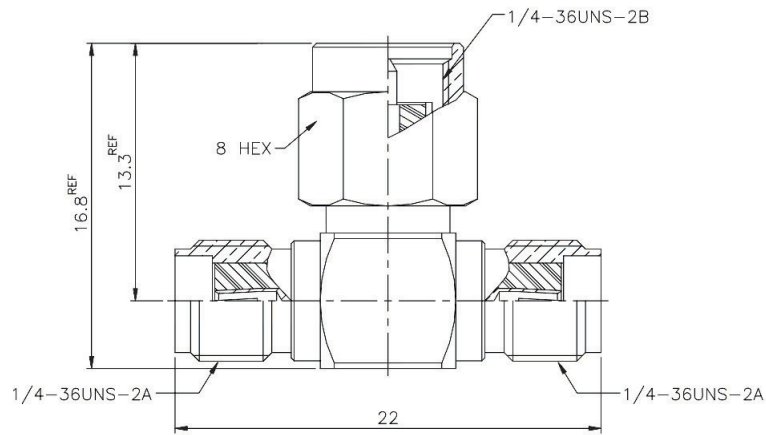
Insulator material	Teflon
Contact material (Plug/Jack)	Brass / beryllium copper, plating: gold
Body material	Brass, plating: nickel
Impedance	50 $\Omega$
VSWR	1.5 max
Frequency range	0 to 6 GHz
Contact resistance	Center: 6 m $\Omega$ max. / outer: 2 m $\Omega$ max.
Insulator resistance	5000 M $\Omega$ min.
Dielectrical withstanding	500 VAC for 1 min
Operation temperature	-65 C to +165 C
Durability	500 cycles



RoHS  
compliant

## Mechanical dimensions

Unit: mm



## Tolerances

Linear	<6	$\pm 0.2$
	6 to 30	$\pm 0.4$
	>30	$\pm 0.6$

## Part numbering guide

49578

Series

\* standard

