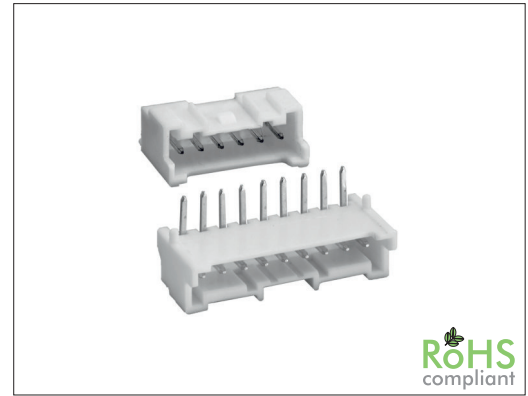


2205 Series

2.00 mm Pin Header w/ Lock

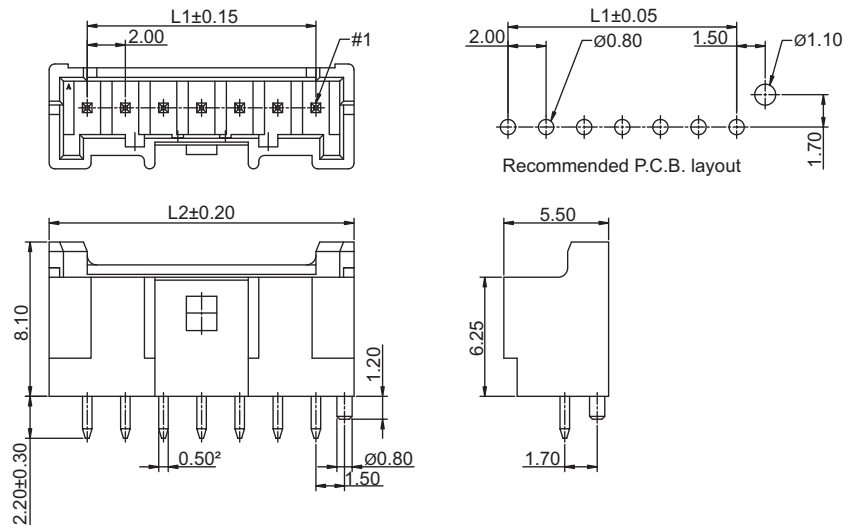
General specifications	
Insulator material	PBT, UL94V-0, color: white
Contact material	Brass
Current rating	2 A
Voltage rating	100 VAC
Contact resistance	10 mΩ max.
Insulator resistance	1000 MΩ @ 500 VDC
Dielectrical withstanding	800 VAC for 1 min
Operating temperature	-25 °C to +85 °C
Soldering	Lead free wave soldering process
Mating parts series	
2205-PT or cable assembly	



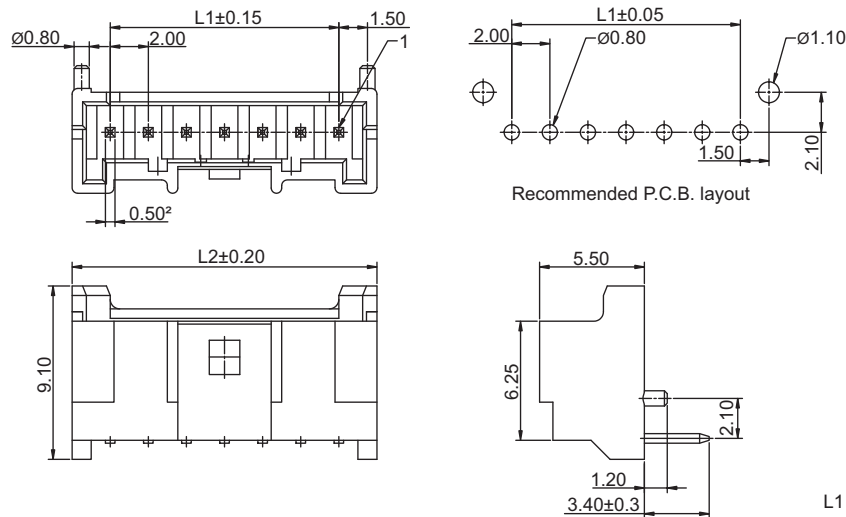
Mechanical dimensions

Unit: mm

2205S



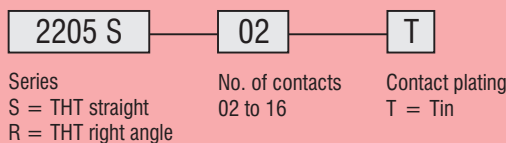
2205R



L1 = No. of contacts x 2.00 - 2.00
L2 = No. of contacts x 2.00 + 2.00

Tolerances		
Linear	X	± 0.25
	.XX	± 0.12
	.XXX	± 0.08

Part numbering guide



* standard

