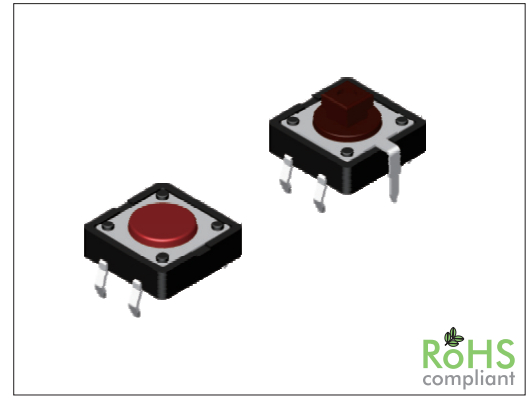


# SW-DTS Series Tactile Microswitch 12x12 mm

## General specifications

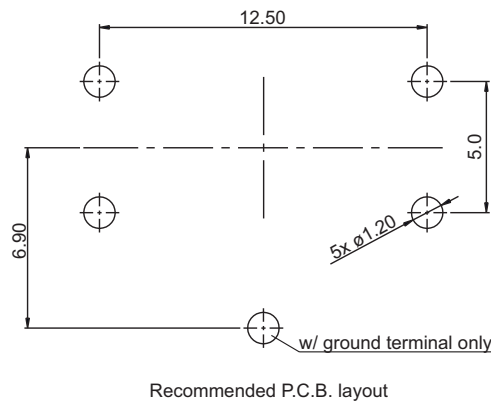
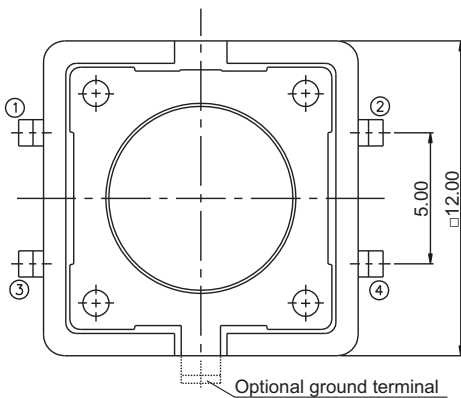
Housing material	Nylon, UL94V-0, color: black
Actuator material	Nylon, UL94V-0
Contact material	Phosphor bronze, plating: silver
Current rating	50 mA
Voltage rating	12 VDC
Contact resistance	100 mΩ max.
Insulator resistance	100 MΩ min. @ 500 VDC
Dielectrical withstanding	250 VAC for 1 min
Operating temperature	-25 °C to +70 °C
Operating force	see table
Durability	see table
Soldering	Lead free wave soldering process



RoHS  
compliant

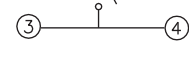
## Mechanical dimensions

Unit: mm



### Circuit

w/o ground terminal

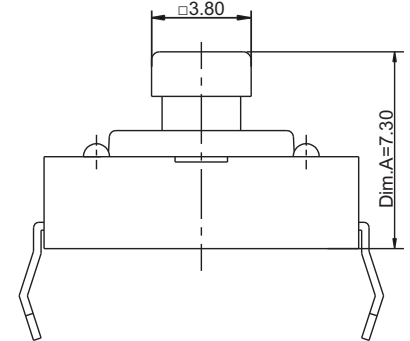
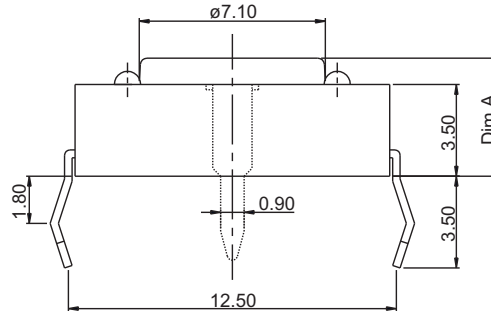
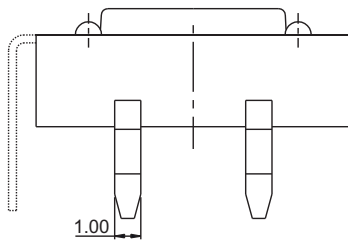


w/ ground terminal



### SW-DTS(G)21, SW-DTS(G)23, SW-DTS(G)25

### SW-DTS(G)24



### Ordercode dimensions

Index	Dim. A
1	4.30
3	7.40
4	7.30
5	8.50

### Actuator specification

Code	Color	Operating force	Stroke	Durability	
				Phosphor bronze dome	Stainless steel dome
K	Black	130±50 gf	0.35	200000 cycles	10000000 cycles
N	Brown	160±50 gf	0.35	200000 cycles	10000000 cycles
R	Red	260±50 gf	0.35	100000 cycles	500000 cycles
S	Salmon	320±80 gf	0.35	100000 cycles	300000 cycles
Y	Yellow	520±130 gf	0.35	100000 cycles	300000 cycles

Tolerances	
Linear	± 0.20

## Part numbering guide

SW-DTS

2

1

N

V

Series  
SW-DTS = w/o ground terminal  
SW-DTSG = w/ ground terminal

Size  
2 = 12x12 mm

Dimensions  
see table

Actuator specification  
see table

Dome  
S = Stainless steel  
(leave empty for phosphor bronze)

Material  
V = Lead free  
Q = Halogen free

Packing  
B = Tube  
(leave empty for bag, tube only w/o ground terminal)

\* standard

