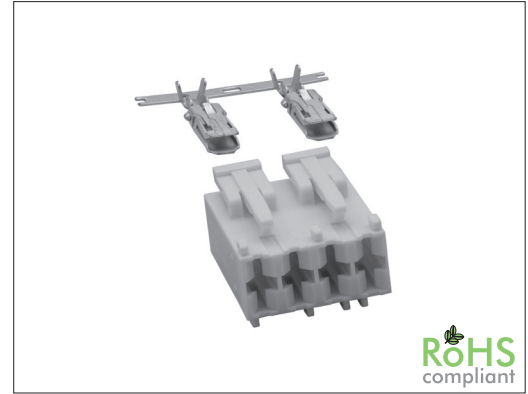


# 2540 Series

# 5.00 mm RAST Fast-On Housing and Terminal

### General specifications

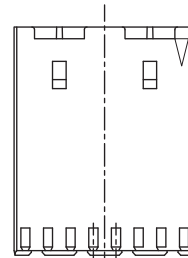
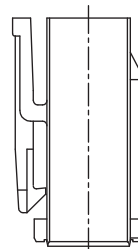
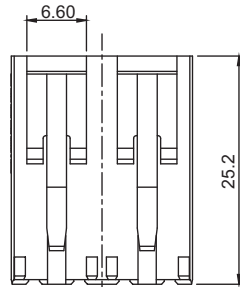
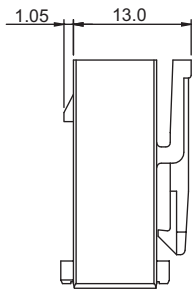
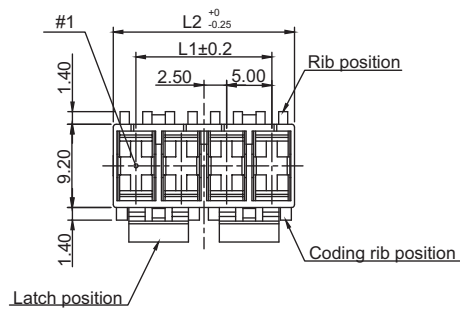
Insulator material	Nylon-66 w/ glass fiber, UL94V-0, color: nature
Contact material	Brass, plating: tin
Current rating	6 A (AWG18), 10 A (AWG 16), 16 A (AWG14)
Voltage rating	250 V AC/DC
Contact resistance	15 mΩ max.
Insulator resistance	5000 MΩ min.
Dielectrical withstanding	2000 VAC for 1 min
Operating temperature	-40 °C to +105 °C
Soldering	
<b>Mating parts series</b>	
2540-SR w/ identical coding	



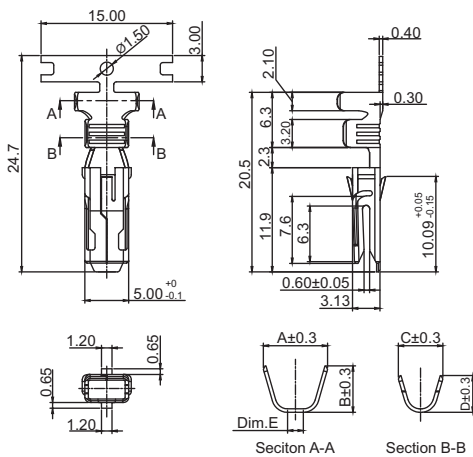
### Mechanical dimensions

Unit: mm

#### 2540P



#### 2540T



Ordercode Option for 2540T							
Index	AWG	Insulation Diameter	Dim. A	Dim. B	Dim. C	Dim. D	Dim. E
01	18 to 20	Ø 2.8 max.	4.5	4.5	3.0	3.0	-
02	14 to 17	Ø 3.8 max.	5.5	5.5	4.1	4.3	-
03	13 to 15	Ø 4.0 max.	7.3	5.1	5.2	4.0	1.8
04	11 to 12	Ø 4.3 max.	7.0	6.0	5.0	5.1	-

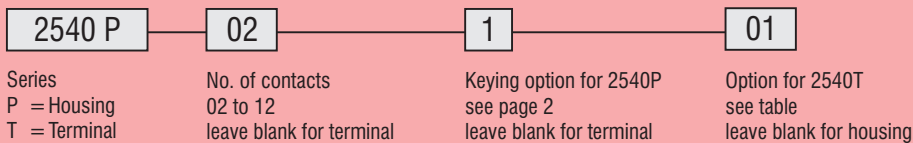
Tolerances	
Linear	X ± 0.38
	.XX ± 0.25

L1 = (No. of contacts - 1) x 5.00

L2 = No. of contacts x 5.00

continued on page 2

### Part numbering guide



\* standard



## Mechanical dimensions

Unit: mm

### 2540P02X

	2540P02A
	2540P021
	2540P022
	2540P023
	2540P024
	2540P025
	2540P026
	2540P027

### 2540P03X

	2540P03A
	2540P031
	2540P032
	2540P033
	2540P034

### 2540P04X

	2540P04A
	2540P041
	2540P042
	2540P043
	2540P044
	2540P047

### 2540P05X

	2540P05A
	2540P051
	2540P052

### 2540P07X

	2540P07A
--	----------

### 2540P10X

	2540P10A
--	----------

### 2540P08X

	2540P08A
--	----------

	2540P11A
--	----------

### 2540P06X

	2540P06A
	2540P061

### 2540P09X

	2540P09A
--	----------

### 2540P12X

	2540P12A
	2540P121

#### Tolerances

Linear	.X	± 0.38
	.XX	± 0.25

