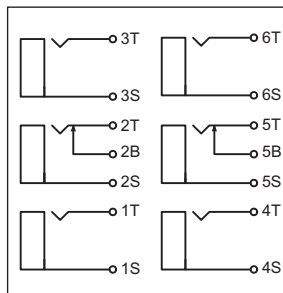
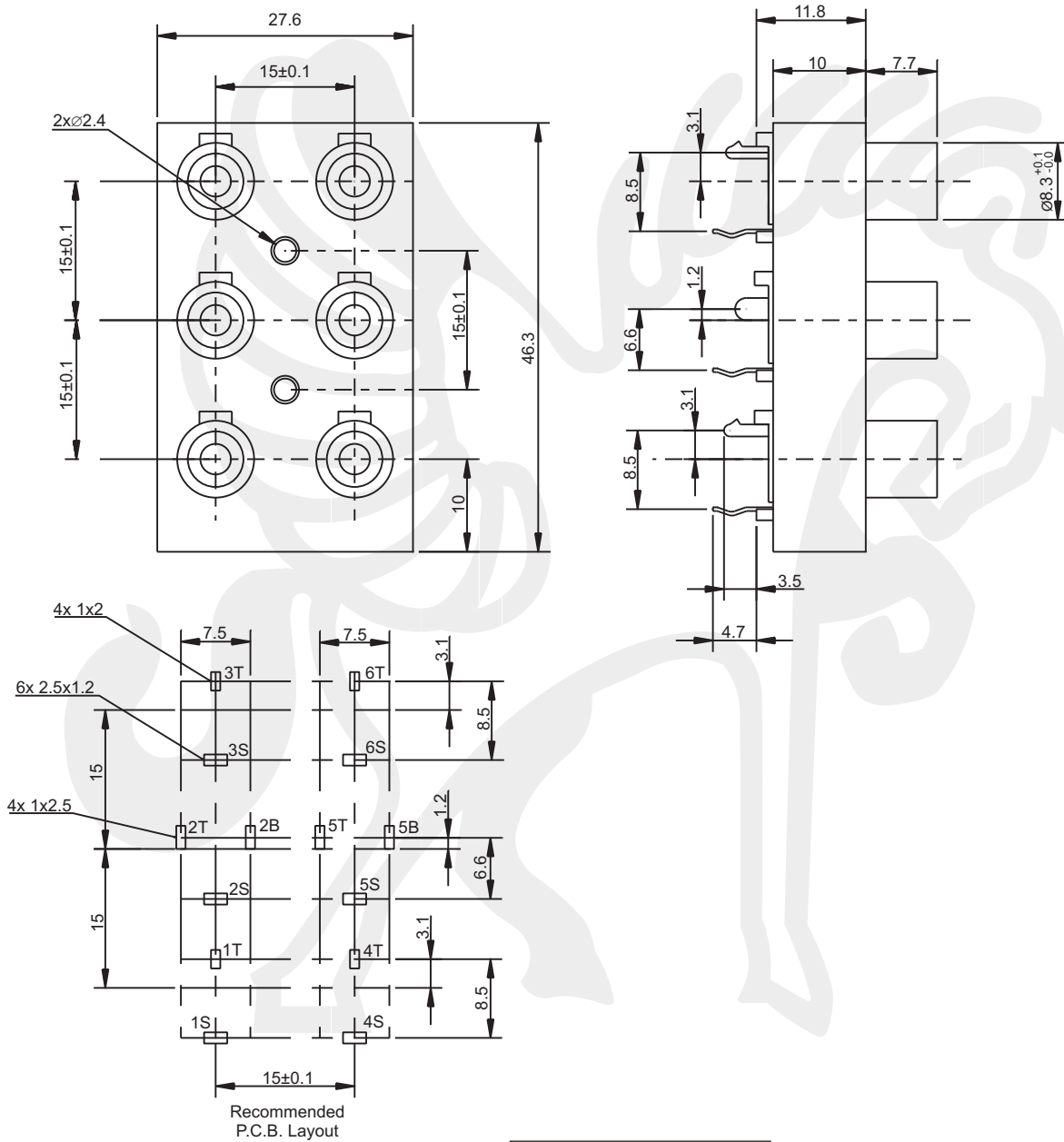


Series 43682 6x RCA Jack / Cinch Top Entry

43682A



43682A



Tolerances	
Linear	<6 ± 0.1
	6-20 ± 0.2
	>20 ± 0.3



This document is protected by copyright law and international treaties. Reproduction except for personal use and distribution of this document will be prosecuted to the maximum extent possible under the law. Subject to changes without prior notice. Errors and omissions excepted. Copyright by NEXUS COMPONENTS GmbH

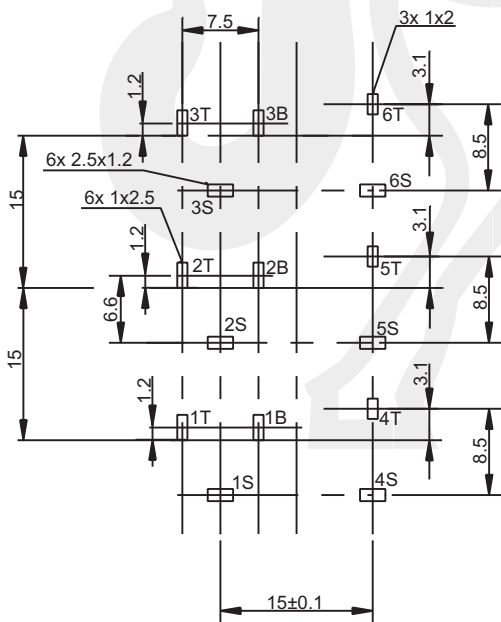
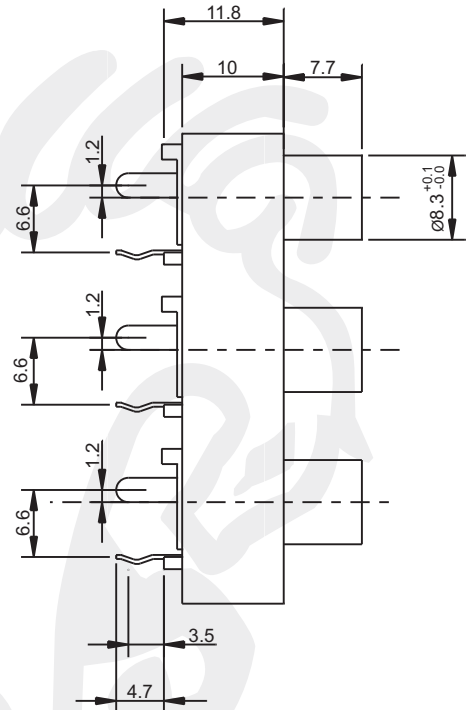
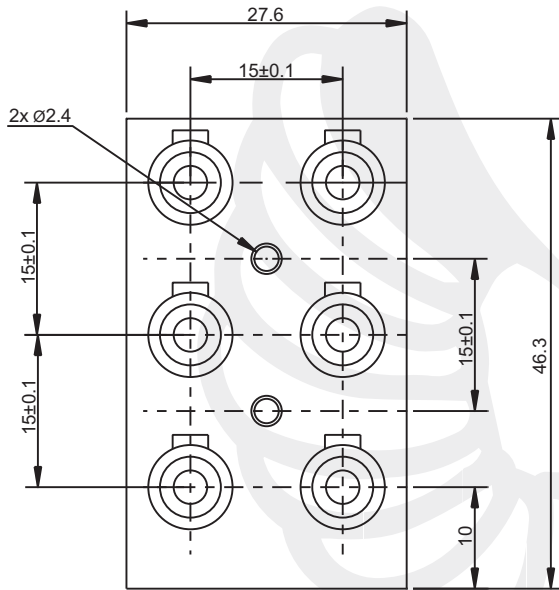
All dim. in mm

Series 43682 6x RCA Jack / Cinch Top Entry

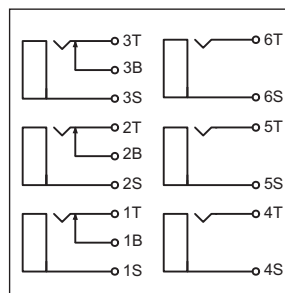
43682B



43682B



Recommended P.C.B. Layout



Tolerances	
Linear	<6 ± 0.1
	6~20 ± 0.2
	>20 ± 0.3



This document is protected by copyright law and international treaties. Reproduction except for personal use and distribution of this document will be prosecuted to the maximum extent possible under the law. Subject to changes without prior notice. Errors and omissions excepted. Copyright by NEXUS COMPONENTS GmbH

All dim. in mm