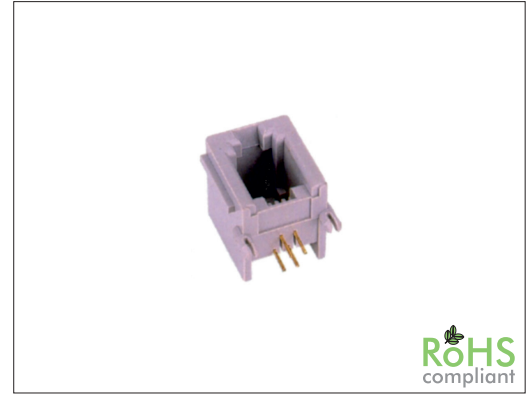


61320 Series RJ10 4P Side Entry

General specifications

Insulator material	PBT w/ glass fiber, UL94V-0
Contact material	Phosphor bronze
Current rating	1 A
Voltage rating	150 VAC
Contact resistance	50 mΩ max.
Insulator resistance	200 MΩ min.
Dielectrical withstanding	1000 VAC for 1 min
Operating temperature	-40 °C to +85 °C
Soldering	Lead free wave soldering process
Durability	750 cycles

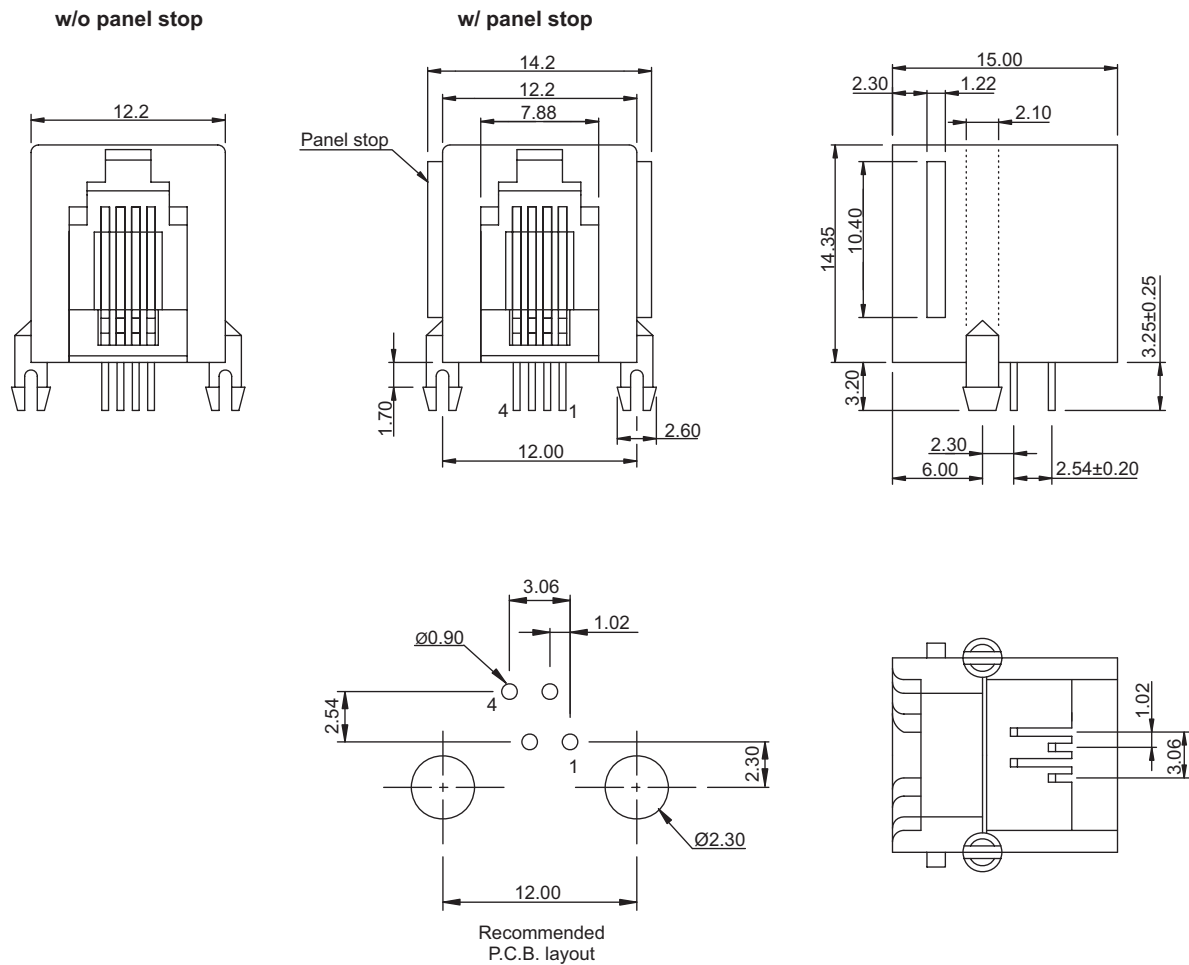
Mating parts series



RoHS
compliant

Mechanical dimensions

Unit: mm



Tolerances		
Linear	X	± 0.25
	.XX	± 0.13
	.XXX	± 0.05

Part numbering guide

61320	C	0	B
Series	Contact plating C = 3 μ" gold D = 6 μ" gold F = 15 μ" gold J = 30 μ" gold	Panel stop 0 = w/o panel stop 1 = w/ panel stop	Color B = Black G = Grey

* standard

