

# 2460 Series

# 4.50 mm Male Contact Housing and Terminal

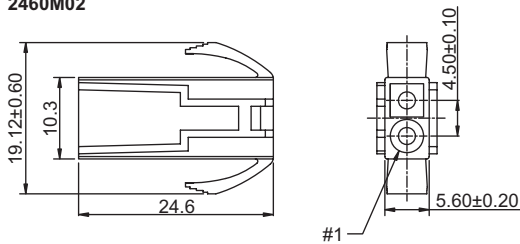
General specifications	
Insulator material	Nylon 66, UL94V-0, color: nature
Contact material	Phosphor bronze, plating: tin
Current rating	10 A
Voltage rating	300 V AC/DC
Contact resistance	7 mΩ max.
Insulator resistance	1000 MΩ min.
Dielectrical withstanding	1500 VAC for 1 min
Operating temperature	-25 °C to +85 °C
Wire range	AWG 16 to 20
Mating parts series	
2460-P or cable assembly	



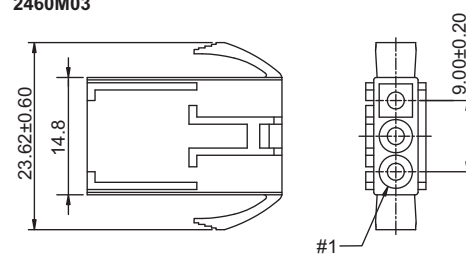
## Mechanical dimensions

Unit: mm

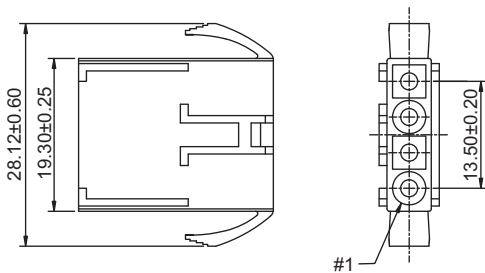
2460M02



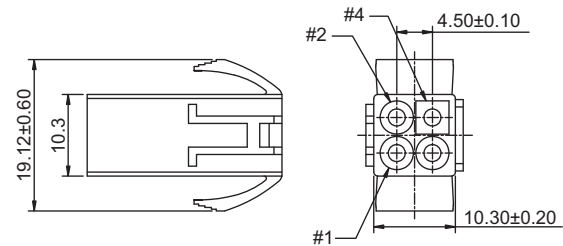
2460M03



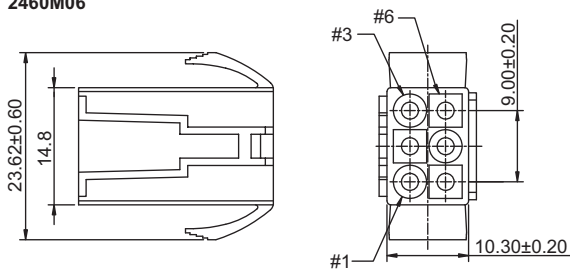
2460M04



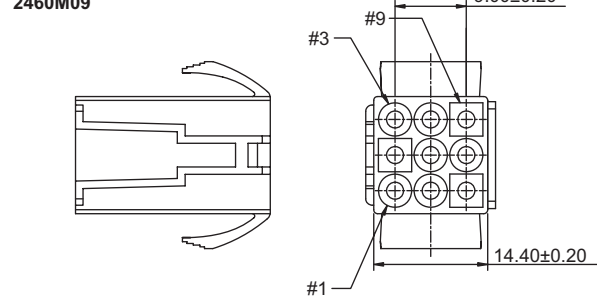
2460M22



2460M06



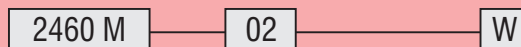
2460M09



Tolerances		
Linear	X	± 0.25
	XX	± 0.15
	XXX	± 0.05

continued on page 2

## Part numbering guide



Series  
M = Housing  
Z = Terminal

No. of contacts  
1 row = 02, 03, 04  
2 row = 22 (04), 06  
3 row = 12, 15

Mounting ears  
W = w/ ears  
O = w/o ears  
leave blank for terminal

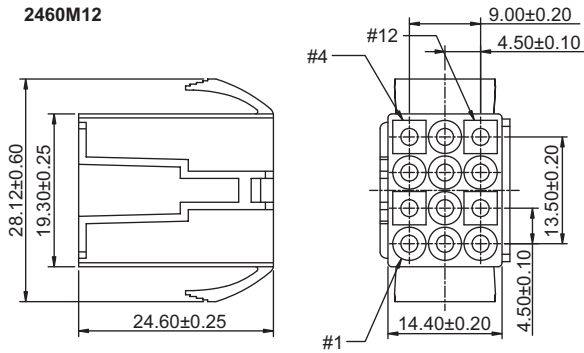
\* standard



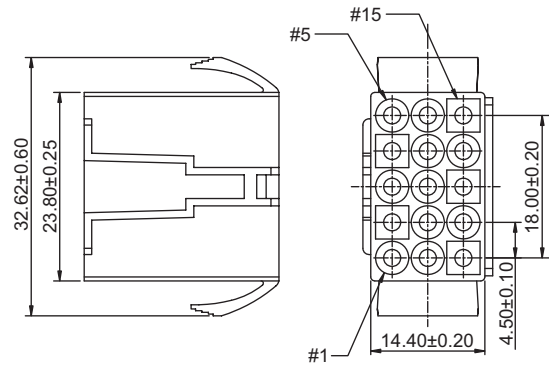
## Mechanical dimensions

Unit: mm

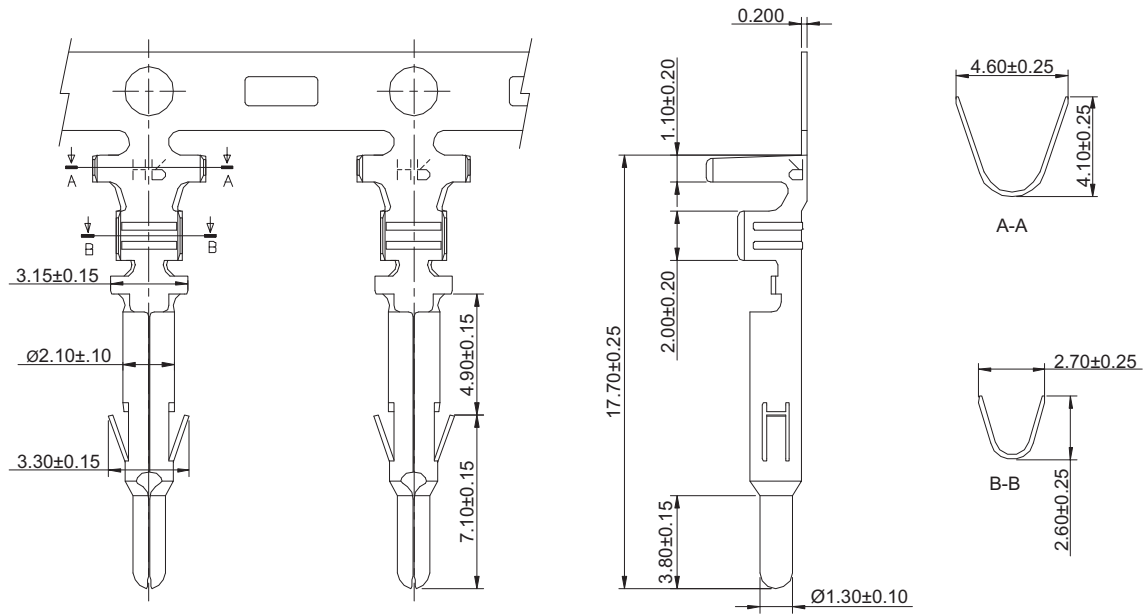
**2460M12**



**2460M15**



**2460Z**



**Tolerances**

Linear	X	± 0.25
	.XX	± 0.15
	.XXX	± 0.05

