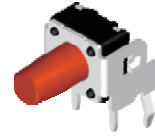


SW-DTSA Series Tactile Microswitch 6 x 6 mm Right Angle

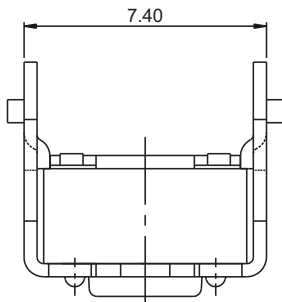
General specifications

Housing material	Nylon, UL94V-0, color: black
Actuator material	Nylon, UL94V-0
Contact material	Phosphor bronze, plating: silver
Current rating	50 mA
Voltage rating	12 VDC
Contact resistance	100 mΩ max.
Insulator resistance	100 MΩ min. @ 500 VDC
Dielectrical withstanding	250 VAC for 1 min
Operating temperature	-25 °C to +70 °C
Operating force	see table
Durability	see table
Soldering	Lead free wave soldering process



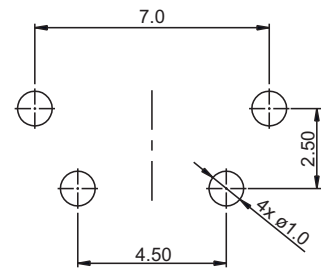
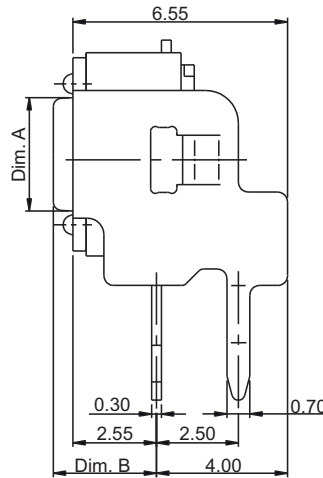
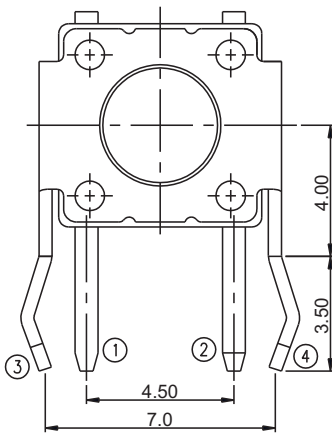
Mechanical dimensions

Unit: mm



SW-DTSA61xx shown

SW-DTSA644xx provide square actuator for knob extension



Recommended P.C.B. layout

Ordercode dimensions		
Index	Dim. A	Dim. B
1	ø3.50	3.15
2	ø3.50	3.85
3	ø3.50	5.85
5	ø3.50	8.35
6	ø3.50	11.85
44	□2.40	6.15

Actuator specification					
Code	Color	Operating force	Stroke	Durability Phosphor bronze dome	Durability Stainless steel dome
K	Black	100±50 gf	0.25	200000 cycles	1000000 cycles
N	Brown	160±50 gf	0.25	200000 cycles	1000000 cycles
R	Red	260±50 gf	0.25	100000 cycles	500000 cycles
S	Salmon	320±80 gf	0.25	50000 cycles	300000 cycles
Y	Yellow	520±130 gf	0.25	50000 cycles	300000 cycles

Tolerances	
Linear	± 0.20

Part numbering guide

SW-DTSA	6	1	K		V
Series	Size 6 = 6 x 6 mm	Dimensions see table	Actuator specification see table (Salmon and yellow not available for halogen free)	Dome S = Stainless steel (leave empty for phosphor bronze)	Material V = Lead free Q = Halogen free

* standard

