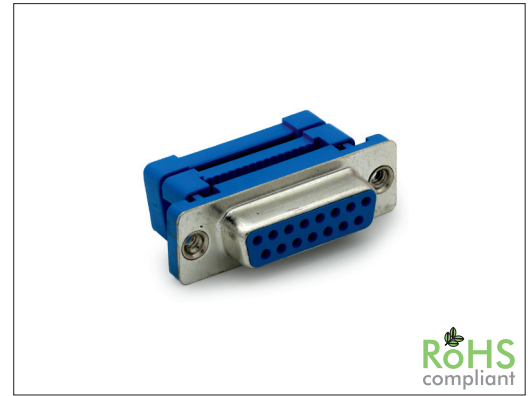


3034 Series

IDC D-Sub Female

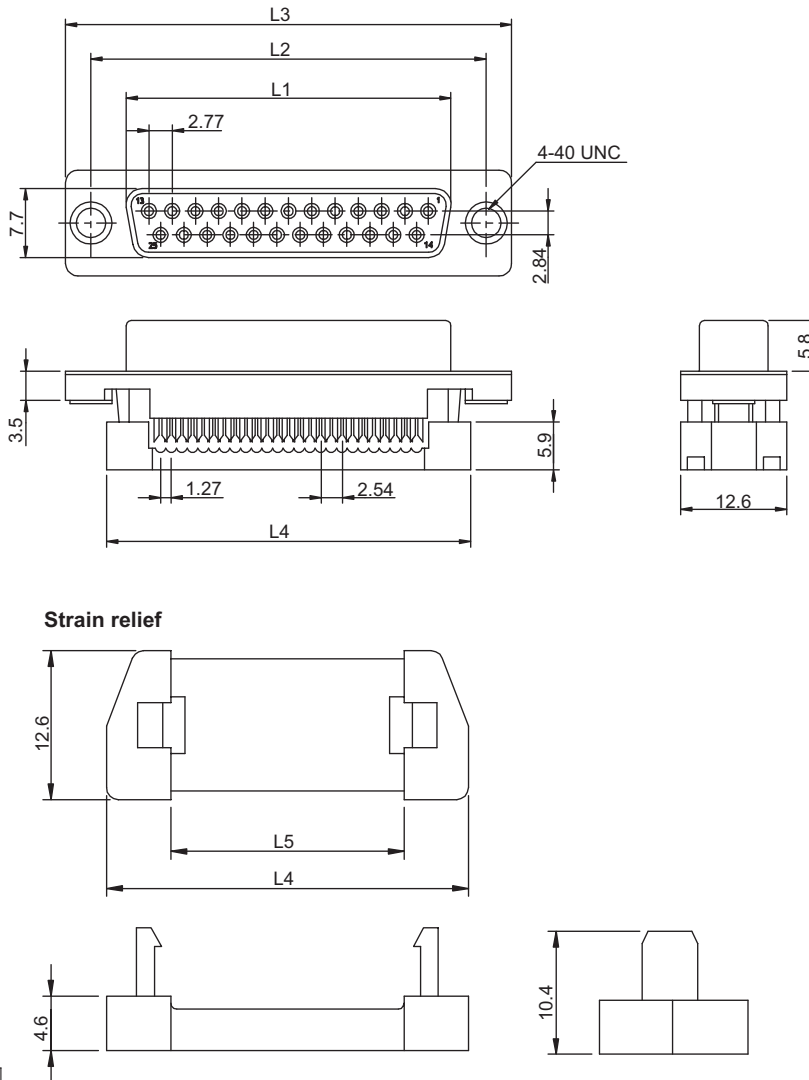
General specifications

Insulator material	PBT w/ 30% glass fiber, UL94V-0
Contact material	Phosphor bronze
Current rating	1 A
Contact resistance	30 mΩ max.
Insulator resistance	1000 MΩ min. @ 500 VDC
Dielectrical withstanding	500 VAC for 1 min
Operating temperature	-55 °C to +105 °C
Soldering	JEDEC lead free wave soldering process
Mating parts series	



Mechanical dimensions

Unit: mm



Tolerances	
Linear	X ± 0.25
	.XX ± 0.10

Contacts	L1	L2	L3	L4	L5
09	16.33	24.99	30.81	22.40	12.08
15	24.66	33.32	39.14	30.80	19.70
25	38.38	47.04	53.04	44.50	32.40
37	54.83	63.50	69.32	61.40	47.72

Part numbering guide

3034 F	09	B	BK
Series F = Female	No. of contacts 09, 15, 25, 37	Contact plating B = Flashgold* E = 10μ" gold F = 15μ" gold J = 30μ" gold	Color BK = Black BU = Blue

* standard

