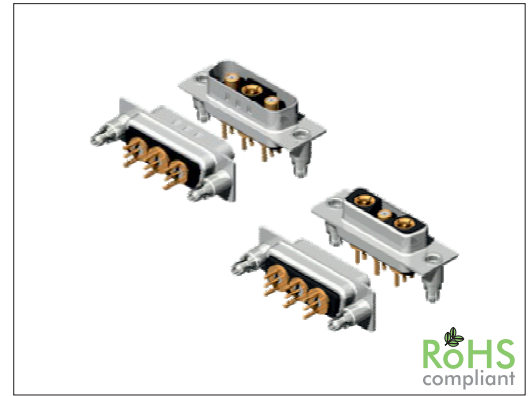


3181 Series

D-Sub Coaxial 3W3C Straight 50/75 Ω

General specifications

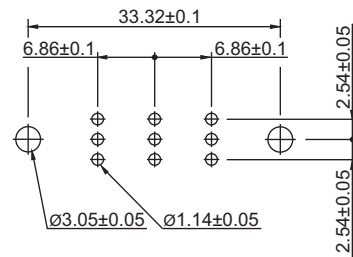
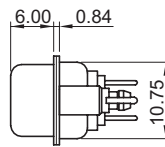
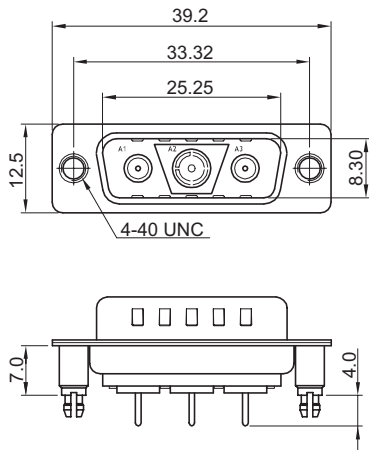
| | |
|----------------------------|---------------------------------|
| Insulator material | Glass filled polyester, UL94V-0 |
| Coaxial insulator | Teflon white, UL94V-0 |
| Contact material | Copper alloy |
| Shell material | Steel, plating: tin |
| Insulator resistance | 5000 MΩ min. |
| Dielectrical withstanding | 1000 VAC for 1 min |
| Operating temperature | -55 °C to +125 °C |
| Durability | 100 cycles |
| Mating parts series | |



Mechanical dimensions

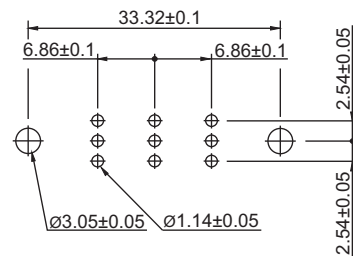
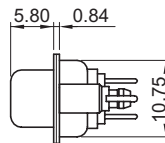
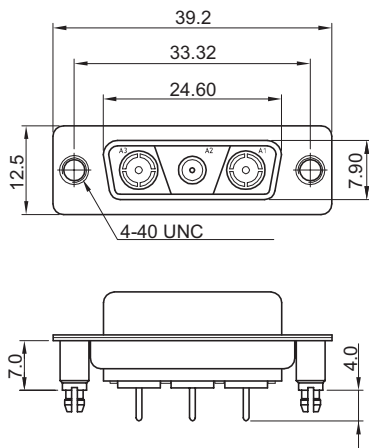
Unit: mm

3181M



Recommended P.C.B. layout

3181F



Recommended P.C.B. layout

| Tolerances | | |
|------------|-----|--------|
| Linear | X | ± 0.30 |
| | XX | ± 0.20 |
| | XXX | ± 0.10 |

| Type 0 (w/ Ø3.05 holes) | Type B (w/ rivited front bolts) | Type C (w/ rivited rear bolts) | Type D (w/ standoff) |
|-------------------------|---------------------------------|--------------------------------|----------------------|
| | | | |

Part numbering guide

| | | | | |
|----------------------------------|-------------------------------------|------------------------------------------------------------------------------|--------------------------------------------------|------------------------------------------------------------------------------------------------------------------------------------|
| 3181 F | 50 | B | 0 | 0 |
| Series F = Female M = Male | Impedance 50 = 50 Ω 75 = 75 Ω | Coaxial contact plating B = Flashgold F = 15 μ" gold J = 30 μ" gold | Signal contact plating 0 = w/o signal contact | Mounting type 0 = w/o screws B = w/ rivited front bolts 4.0 mm C = w/ rivited rear bolts 4.0 mm D = w/ standoff 7.0 mm |

* standard

