

2150 Series

1.50 mm Housing and Terminal

General specifications

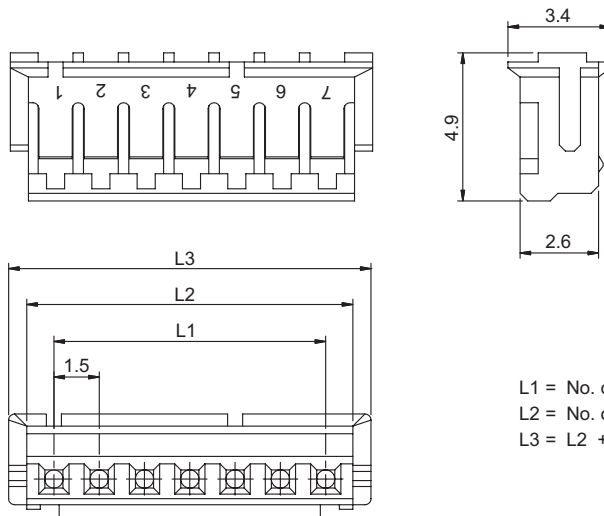
Insulator material	Nylon 66, UL94V-0, color: natural
Contact material	Phosphor bronze, plating: tin
Current rating	1 A
Volage rating	50 V AC/DC
Contact resistance	20 mΩ max.
Insulator resistance	500 MΩ min.
Dielectrical withstanding	500 VAC for 1 min
Operating temperature	-25 °C to +85 °C
Mating parts series	
2150-H, 2150-V, 2150-R, 2150-S	



Mechanical dimensions

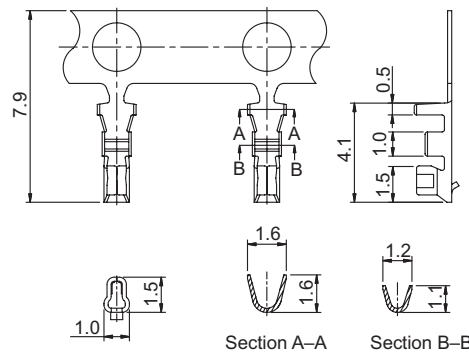
Unit: mm

2150P



L1 = No. of contacts x 1.50 - 1.50
 L2 = No. of contacts x 1.50 + 0.30
 L3 = L2 + 1.20

2150T



Wire range: AWG 28 to 32

Tolerances		
Linear	X	± 0.25
	.XX	± 0.12
	.XXX	± 0.08

Part numbering guide

2150 P

02

Series
 P = Housing
 T = Terminal

No. of contacts
 02 to 13
 (leave blank for terminal)

* standard

