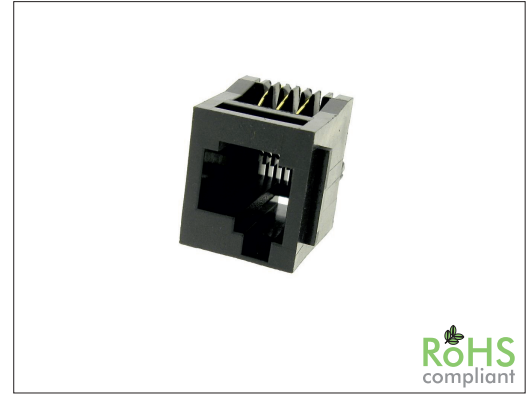


# 62131 Series RJ12 Top Entry DECT Type

## General specifications

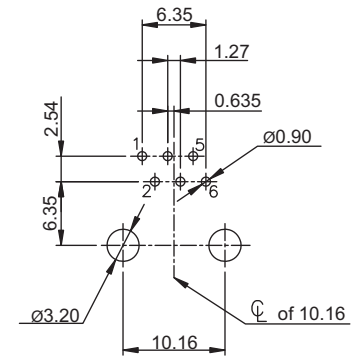
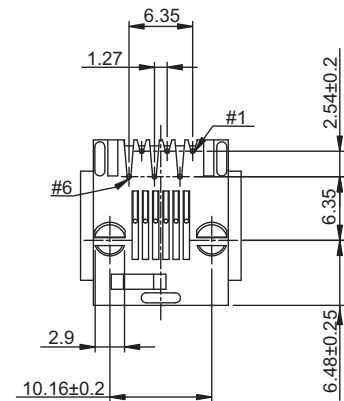
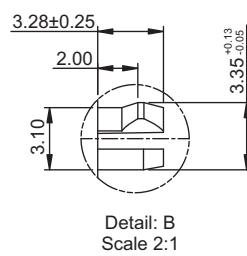
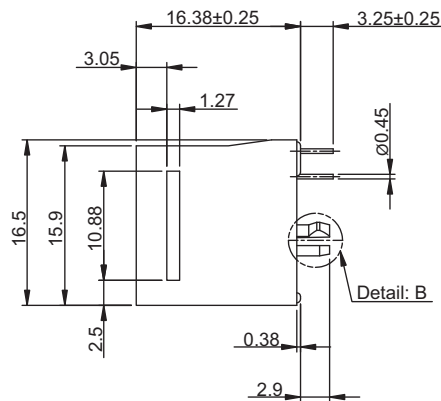
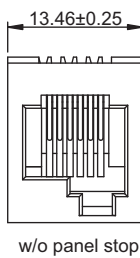
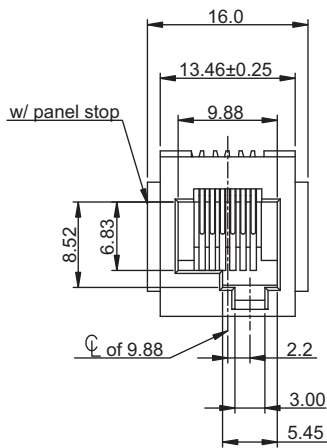
Insulator material	PBT w/ glass fiber, UL94V-0, color: black
Contact material	Phosphor bronze
Current rating	1 A
Voltage rating	150 VAC
Contact resistance	50 mΩ max.
Insulator resistance	200 MΩ min.
Dielectrical withstanding	1000 VAC for 1 min
Operating temperature	-40 °C to +85 °C
Soldering	Lead free wave soldering process
Durability	750 cycles

## Mating parts series



## Mechanical dimensions

Unit: mm



Recommended P.C.B. layout  
T = 1.6, tolerance: ±0.05 (top view)

### Tolerances

Linear	X	± 0.25
	.XX	± 0.13
	.XXX	± 0.05

## Part numbering guide

62131	D	6	0
Series	Contact plating D = 6 μ" gold	No. of contacts 6	Packing 0 = w/o panel stop 1 = w/ panel stop

\* standard

