

67131 Series RJ45 8P LED Top Entry CAT.6 Shielded

General specifications

Insulator material	High temperature plastic, UL94V-0
Contact material	Phosphor bronze, plating: gold
Current / voltage rating	1.5 A / 125 VAC
Contact resistance	45 mΩ max
Insulator resistance	1000 MΩ min.
Dielectrical withstanding	1000 VAC for 1 min
Durability	750 cycles
Operation temperature	-40 °C to +85 °C
Soldering	Lead free wave soldering process

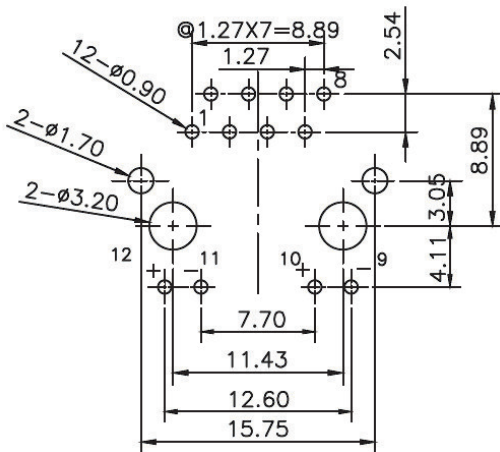
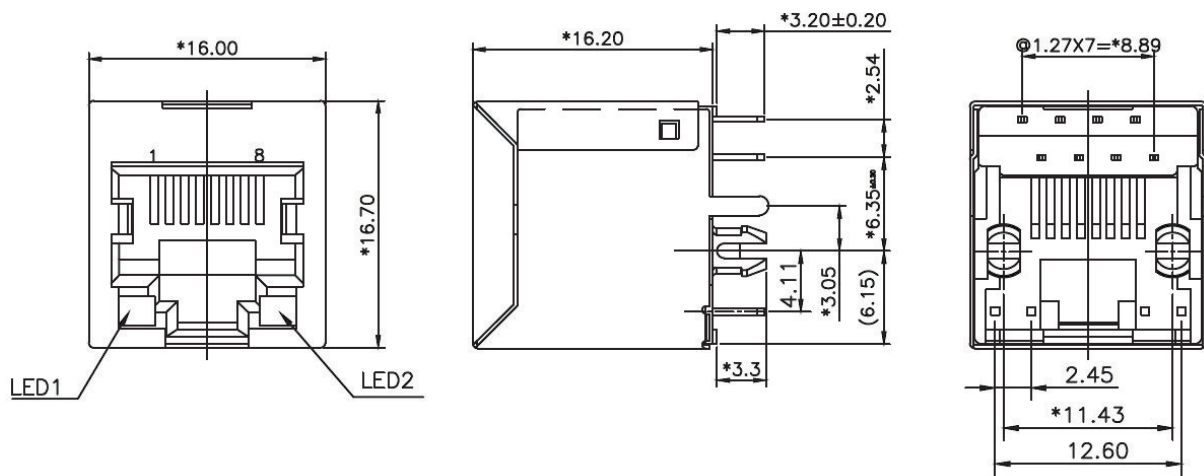
Mating parts series



RoHS
compliant

Mechanical dimensions

Unit: mm



Recommended PCB layout

CATEGORY 6 CHARACTERISTIC:

Frequency	Near-End Cross Talk dB, MIN.	Return Loss dB, MIN.	Attenuation dB, MAX.
1.0 MHZ	75.0	35.5	0.1
4.0 MHZ	75.0	35.5	0.1
10.0 MHZ	74.0	35.5	0.1
16.0 MHZ	69.9	35.5	0.1
25.0 MHZ	66.0	35.5	0.1
31.25 MHZ	64.1	34.1	0.1
62.5 MHZ	58.1	28.1	0.1
100.0 MHZ	54.0	24.0	0.2
200.0 MHZ	48.0	18.0	0.3
250.0 MHZ	46.0	16.0	0.3

Tolerances

Linear	X	± 0.38
	.XX	± 0.25

Part numbering guide

67131	C	G	Y
Series	Contact plating C = 3 μ" gold D = 6 μ" gold F = 15 μ" gold J = 30 μ" gold	K = 50 μ" gold Color LED1 D = Green/yellow G = Green R = Red Y = Yellow	Color LED2

* standard

