

49560 Series

SMA Jack Right Angle Crimp Bulkhead

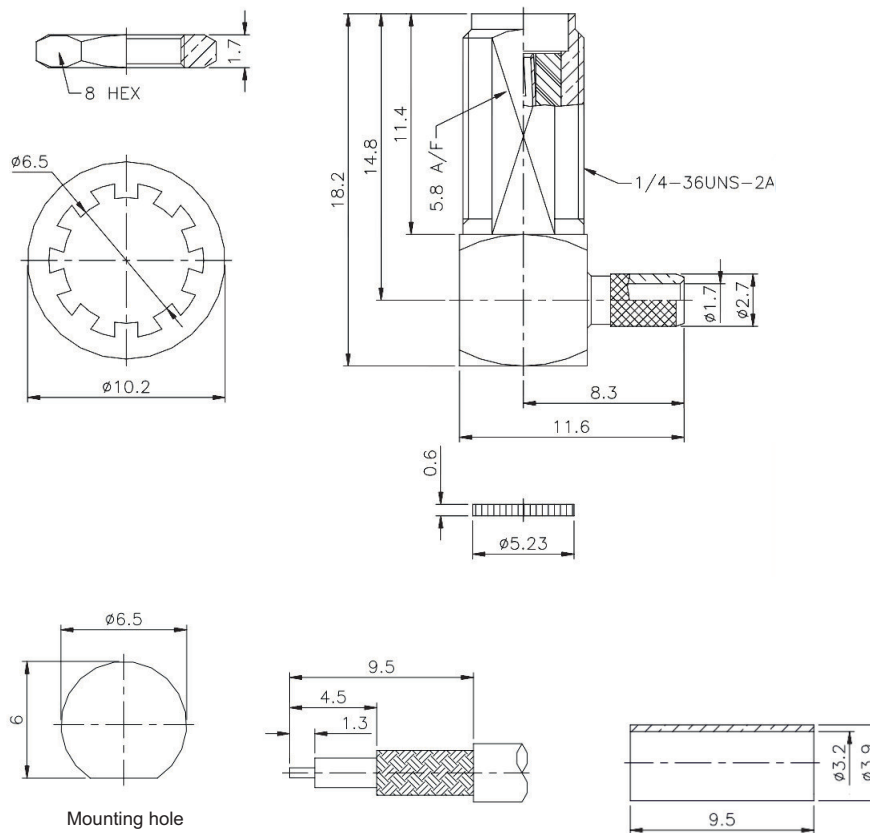
General specifications

Insulator material	Teflon
Contact material	Beryllium copper, plating: gold
Body material	Brass, plating: gold
Crimp ferrules	Annealed brass, plating: gold
Impedance / VSWR	50 Ω / 1.5 max.
Frequency range	0 to 6 GHz
Contact resistance	Center: 6 mΩ max. / outer: 2 mΩ max.
Insulator resistance	5000 MΩ min.
Dielectrical withstanding	500 VAC for 1 min
Operation temperature	-65 C to +165 C
Durability	500 cycles



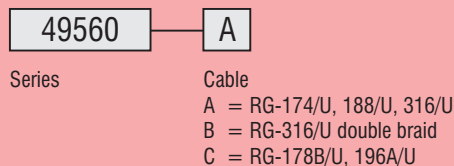
Mechanical dimensions

Unit: mm



Tolerances	
Linear	<6 ± 0.2
	6 to 30 ± 0.4
	>30 ± 0.6

Part numbering guide



* standard

