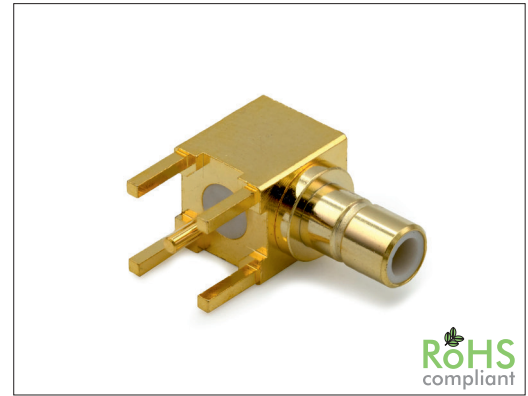


49600 Series SMB Jack Right Angle

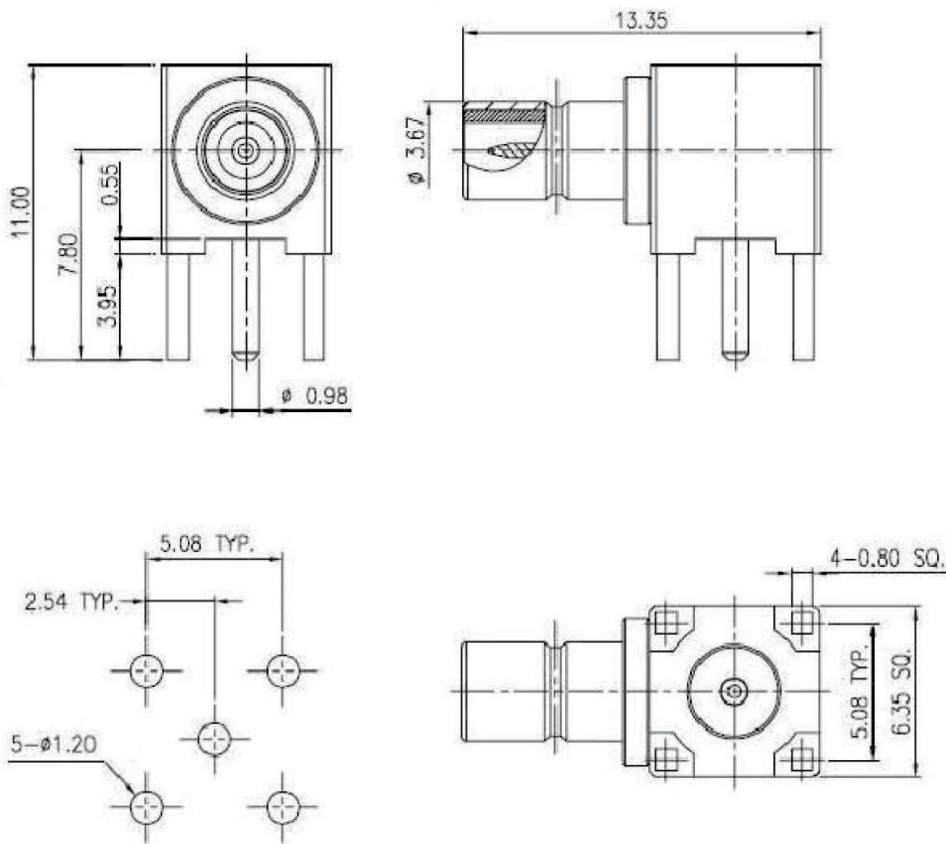
General specifications

Insulator material	Teflon
Contact material	Brass, plating: gold
Body material	Brass, plating: gold
Impedance	50 Ω
Frequency range	0 to 3 GHz
Contact resistance	Center: 6 mΩ max. / outer: 1 mΩ max.
Insulator resistance	1000 MΩ min.
Operation temperature	-65 C to +165 C
Durability	500 cycles



Mechanical dimensions

Unit: mm



Recommended P.C.B. layout

Tolerances

Linear	<6	± 0.2
	6 to 30	± 0.4
	>30	± 0.6

Part numbering guide

49600 R

50

Series

Impedance
50 = 50 Ω

* standard

