

49431 Series IEC Male Right Angle Back Shield

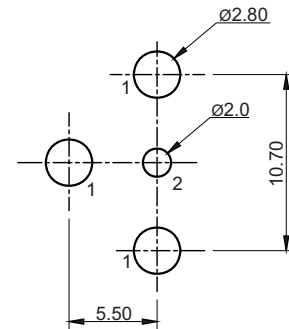
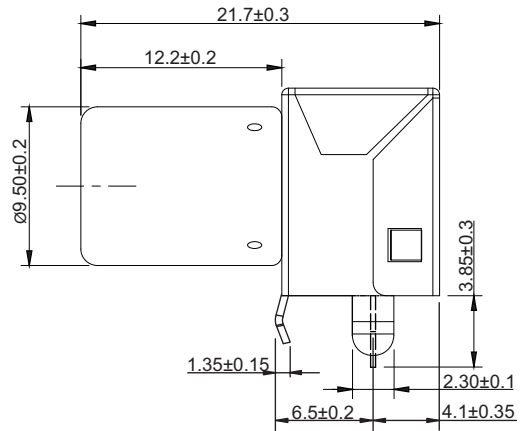
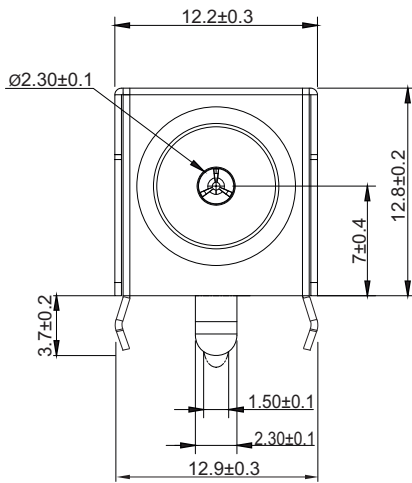
General specifications

Insulator material	Fiber glass
Base material	H62 t = 0.4, plating: CuSn
Center contact material	H62 t = 0.3, plating: CuSn
Outer conductor material	H65 t = 0.4, plating: CuSn
Contact resistance	50 mΩ max.
Insulator resistance	500 MΩ min.
Dielectrical withstanding	500 VAC for 1 min
Impedance	75 Ω



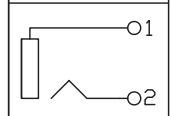
Mechanical dimensions

Unit: mm



Recommended P.C.B. layout

Schematic



Tolerances		
Linear	.X	± 0.30
	.XX	± 0.10

Part numbering guide

49431

Series

* standard

