

49577 Series Adapter SMA 3x Jack T-Angle

General specifications

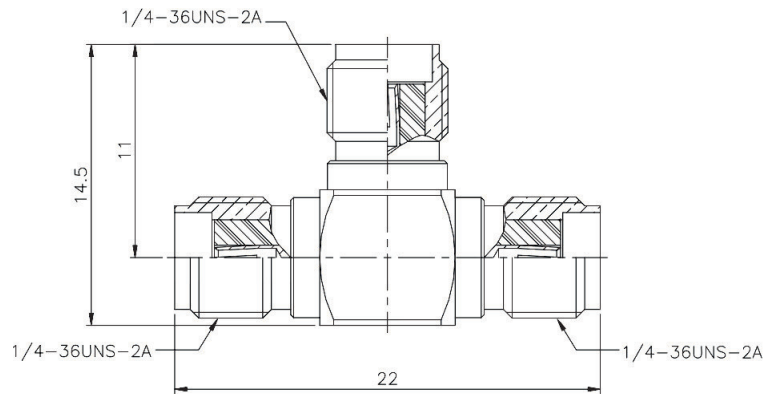
Insulator material	Teflon
Contact material	Beryllium copper, plating: gold
Body material	Brass, plating: nickel
Impedance	50 Ω
VSWR	1.5 max
Frequency range	0 to 6 GHz
Contact resistance	Center: 6 mΩ max. / outer: 2 mΩ max.
Insulator resistance	5000 MΩ min.
Dielectrical withstanding	500 VAC for 1 min
Operation temperature	-65 C to +165 C
Durability	500 cycles



RoHS
compliant

Mechanical dimensions

Unit: mm



Tolerances	
Linear	<6 ± 0.2
	6 to 30 ± 0.4
	>30 ± 0.6

Part numbering guide

49577

Series

* standard

