

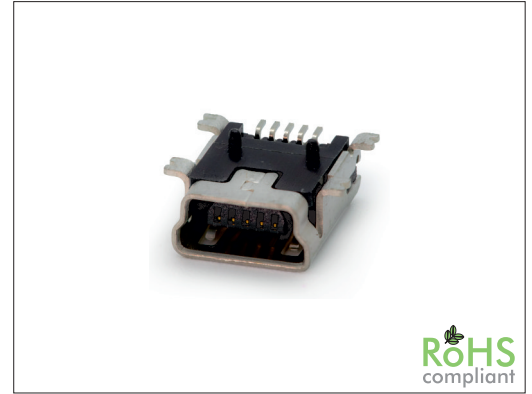
3851 Series

MINI USB 5 Pin Type B SMT Socket

General specifications

Insulator material	Nylon 6T w/ glass fiber, UL94V-0, color: black
Contact material	Copper alloy, plating: gold over nickel
Current rating	1 A
Voltage rating	30 VAC
Contact resistance	50 mΩ max.
Insulator resistance	100 MΩ min.
Dielectrical withstanding	100 VAC for 1 min
Operating temperature	-40 °C to +85 °C
Durability	5000 cycles
Soldering	JEDEC lead free reflow soldering process

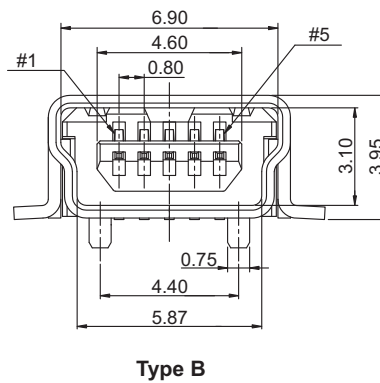
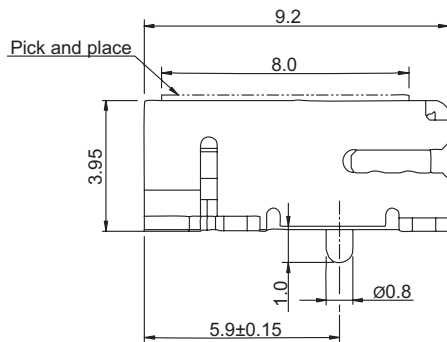
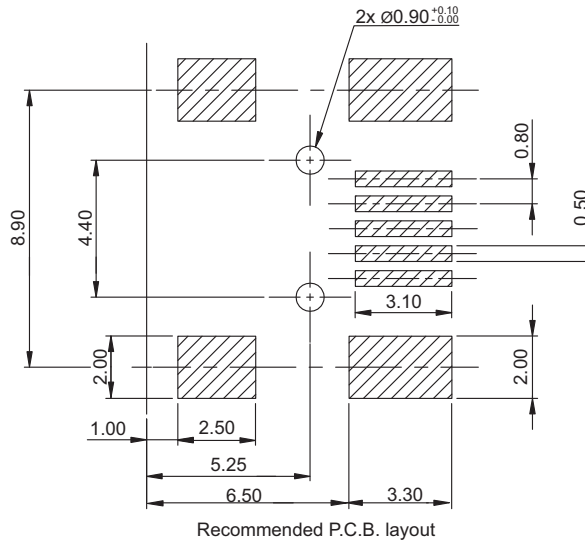
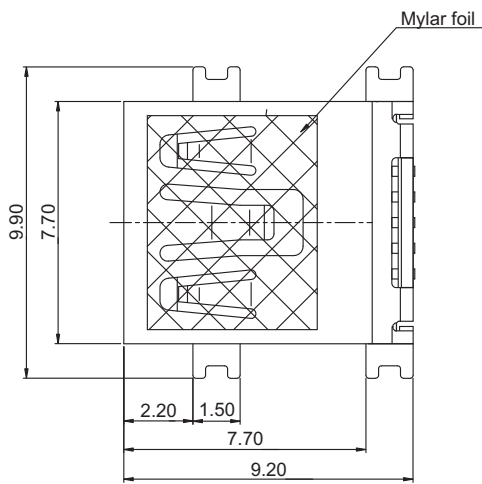
Mating parts series



RoHS
compliant

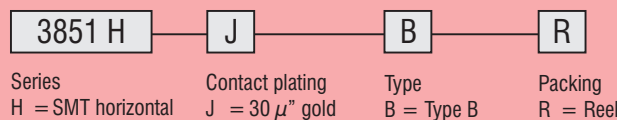
Mechanical dimensions

Unit: mm



Type B

Part numbering guide



* standard

