

0620 Series

Smart Card 8 Pin THT, Reverse, Standoff

General specifications

Insulator material	High temperature thermoplastic, UL94V-0
Contact material	Phosphor bronze, plating: gold over nickel
Current rating	1 A
Voltage rating	50 V AC/DC
Contact resistance	100 mΩ max.
Insulator resistance	1000 MΩ @ 500 VDC
Dielectrical withstanding	500 VAC for 1 min
Operating temperature	-40 °C to +85 °C
Durability	100000 cycles
Soldering	Lead free wave soldering process

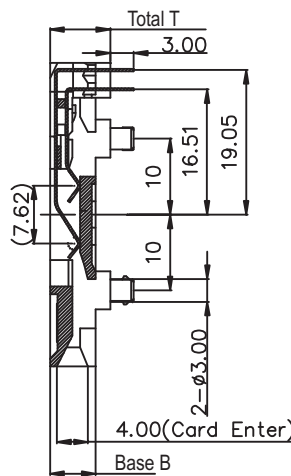
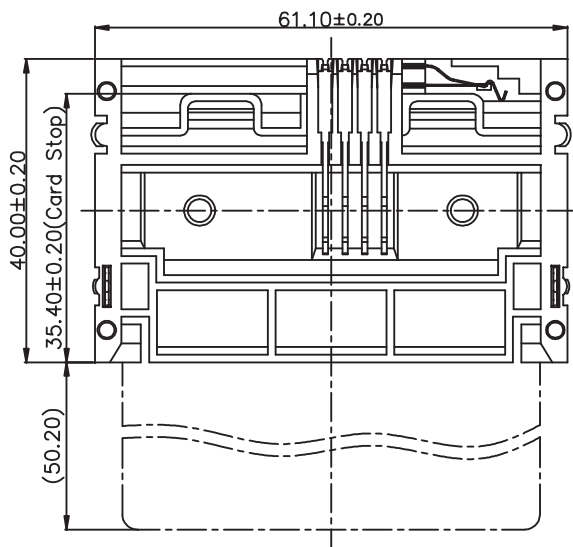
Mating parts series



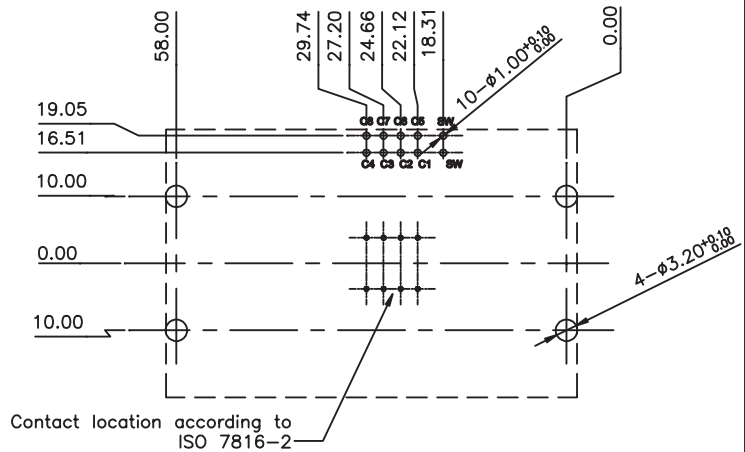
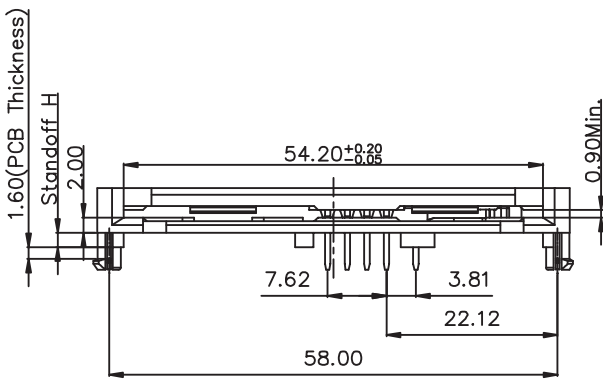
Mechanical dimensions

Switch type: blade
Operation: normally closed

Unit: mm



Base B	Standoff H	Total T
5.90	0.00	5.90
5.90	1.90	7.80



Recommended P.C.B. layout

Tolerances	
Linear	± 0.15

Part numbering guide

0620	D	08	0	Y
Series	Contact plating D = 5 μ" gold	No. of data contacts 08 = 8	Standoff H 0 = w/o standoff 1 = 1.90 mm	Packing Y = Tray

* standard

