

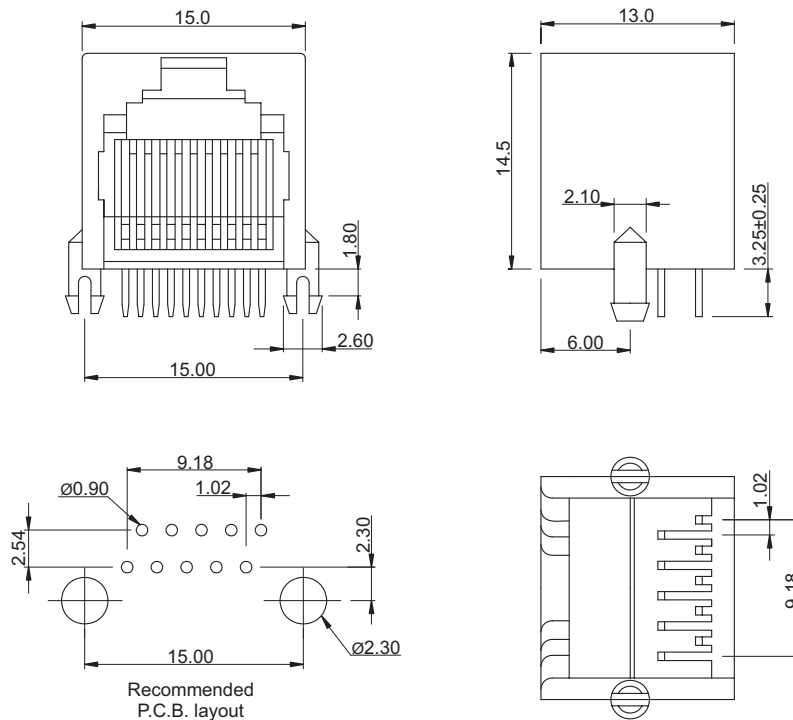
65300 Series RJ45 10P Side Entry Low Profile

General specifications	
Insulator material	PBT w/ glass fiber, UL94V-0, color: black
Contact material	Phosphor bronze
Current rating	1.0 A
Voltage rating	150 VAC
Contact resistance	50 mΩ max.
Insulator resistance	200 MΩ min.
Dielectrical withstanding	1000 VAC for 1 min
Operating temperature	-40 °C to +85 °C
Soldering	Lead free wave soldering process
Durability	750 cycles
Mating parts series	



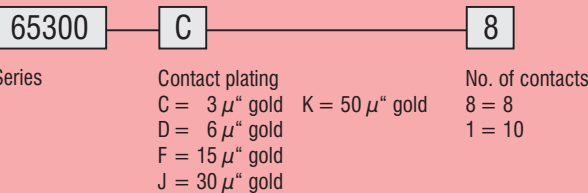
Mechanical dimensions

Unit: mm



Tolerances		
Linear	X	± 0.25
	.XX	± 0.13
	.XXX	± 0.05

Part numbering guide



* standard

