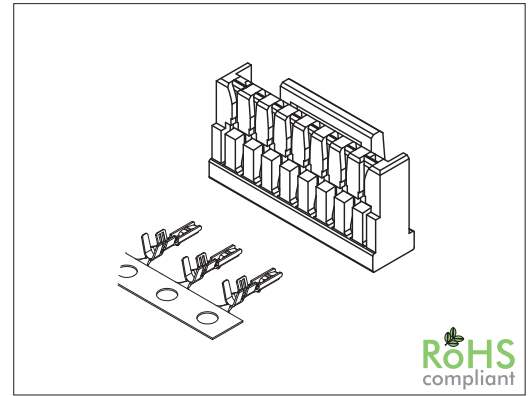


# 2126 Series

# 1.25 mm GH Housing and Terminal

## General specifications

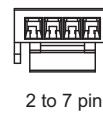
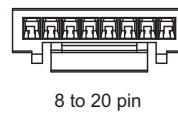
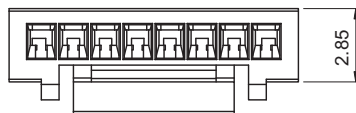
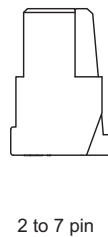
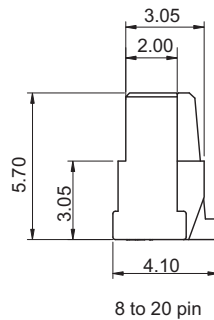
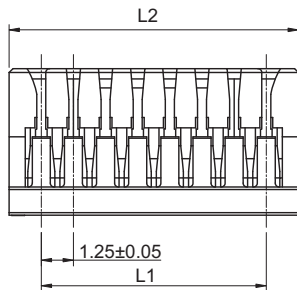
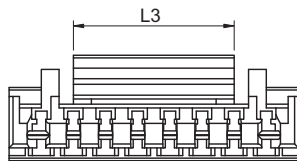
Insulator material	PBT or Nylon, UL94V-0, color: natural
Contact material	Phosphor bronze, plating: tin or gold
Current rating	1 A
Volage rating	50 V AC/DC
Contact resistance	30 mΩ max.
Insulator resistance	100 MΩ min.
Dielectrical withstanding	500 VAC for 1 min
Operating temperature	-25 °C to +85 °C
<b>Mating parts series</b>	
2126-H, 2126-V	



## Mechanical dimensions

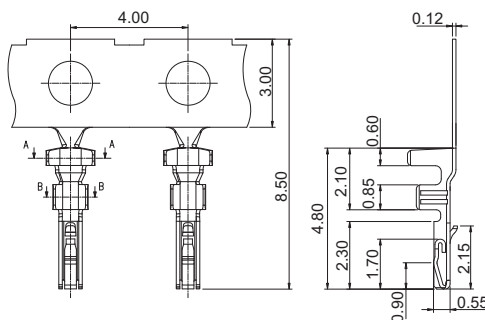
Unit: mm

### 2126P

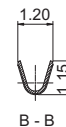
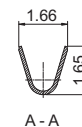
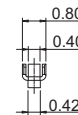


- L1 = No. of contacts x 1.25 - 1.25
- L2 = No. of contacts x 1.25 + 1.25
- L3 = 2.00 for 2 pin  
3.20 for 3 pin  
4.25 for 4 and 5 pin  
6.25 for 6 to 9 pin  
8.20 for 10 to 20 pin

### 2126T



Wire range: AWG 28 to 30



Tolerances	
Linear	.X ± 0.258
	.XX ± 0.20

## Part numbering guide

**2126 P** — **02** — **T**

Series  
P = Housing  
T = Terminal

No. of contacts  
02 to 10, 12, other pin counts  
(11, 13 to 20) on request  
(leave blank for terminal)

Terminal contact plating  
T = Tin\*  
B = Flashgold  
(leave blank for housing)

\* standard

