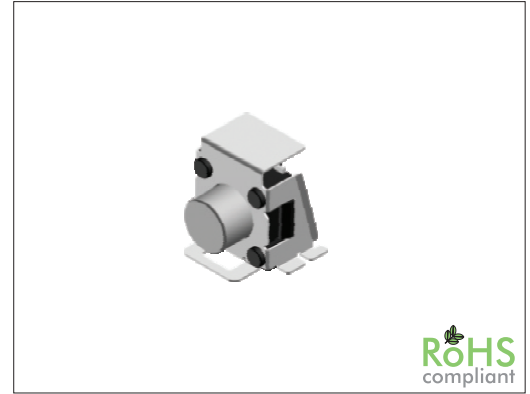


# SW-TA3 Series

# SMT Tactile Microswitch 6 x 6 mm Right Angle

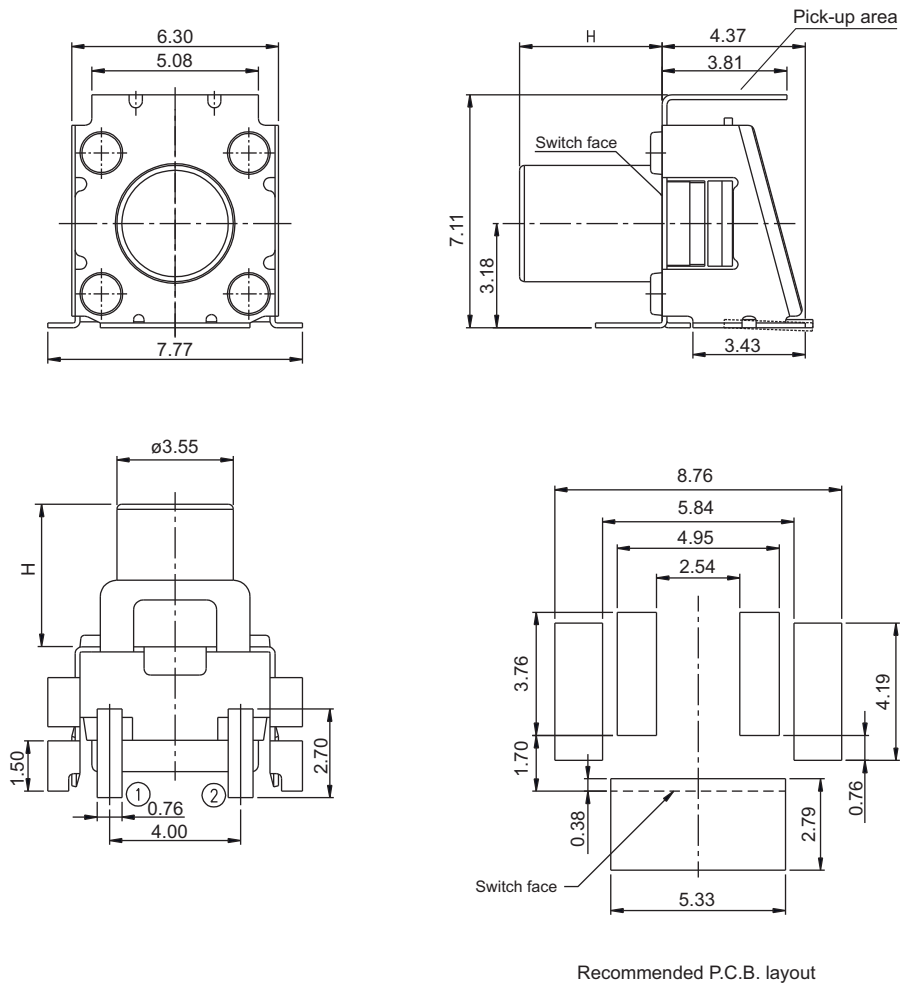
## General specifications

Housing material	Nylon, UL94V-0, color: black
Actuator material	Nylon, UL94V-0
Contact material	Stainless steel, plating: silver
Current / voltage rating	50 mA / 12 VDC
Contact resistance	100 mΩ max.
Insulator resistance	100 MΩ min. @ 500 VDC
Dielectrical withstanding	250 VAC for 1 min
Operating temperature	-25 °C to +70 °C
Operating force	see ordercode
Travel	0.15 mm
Durability	200000 cycles
Soldering	JEDEC lead free reflow soldering process



## Mechanical dimensions

Unit: mm



Recommended P.C.B. layout

Tolerances	
Linear	± 0.20

## Part numbering guide

<b>SW-TA3</b>	<b>1</b>	<b>R</b>	<b>2</b>	<b>K</b>	<b>V</b>	<b>TR</b>
Series	Stem length H 1 = 4.35 mm 2 = 2.80 mm 3 = 2.30 mm	Color fo stem R = Red E = Grey W = White	Operating force 2 = 185±50gf 3 = 260±50gf	Pick and place pad K = w/ pick-up pad on top	Material V = Lead free Q = Halogen free	Packing TR = Reel

\* standard

