

# 3854 Series

# Mini USB B-Type 5 Pin

### General specifications

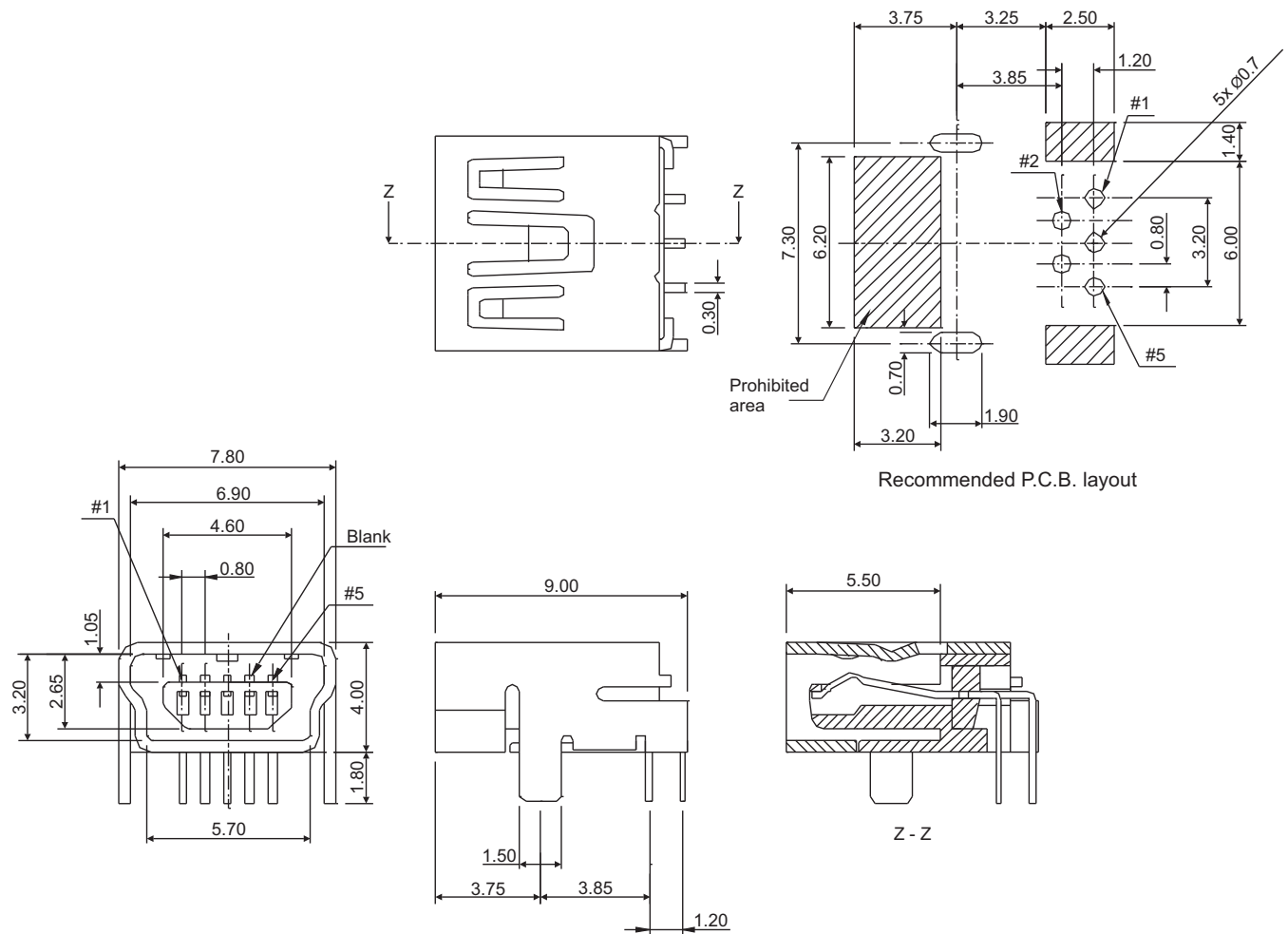
Insulator material	Nylon-9T, UL94V-0, color: black
Contact material	Phosphor bronze, plating: gold over nickel
Current rating	1 A
Voltage rating	30 VAC
Contact resistance	50 mΩ max.
Insulator resistance	100 MΩ @ 500 VDC
Dielectrical withstanding	100 VAC for 1 min
Operating temperature	-55 °C to +85 °C
Soldering	Lead free wave soldering process
Durability	5000 cycles

### Mating parts series



### Mechanical dimensions

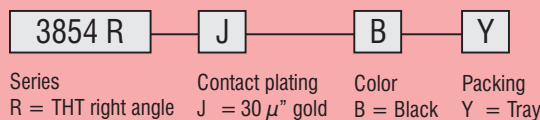
Unit: mm



Recommended P.C.B. layout

Tolerances		
Linear	X.	± 0.38
	.X	± 0.25
	.XX	± 0.13
	.XXX	± 0.05

### Part numbering guide



\* standard

