

5830 Series

SMT DC Jack Vertical 2.00/2.50 mm Pin

General specifications

Insulator material	High temperature thermoplastic, UL94V-0, color: black
Contact material	Copper alloy, plating: silver
Current rating	2.5 A
Voltage rating	24 VDC
Contact resistance	50 mΩ max.
Insulator resistance	100 MΩ min.
Dielectrical withstanding	500 VAC for 1 min
Operating temperature	-25 °C to +85 °C
Soldering	JEDEC lead free reflow soldering process

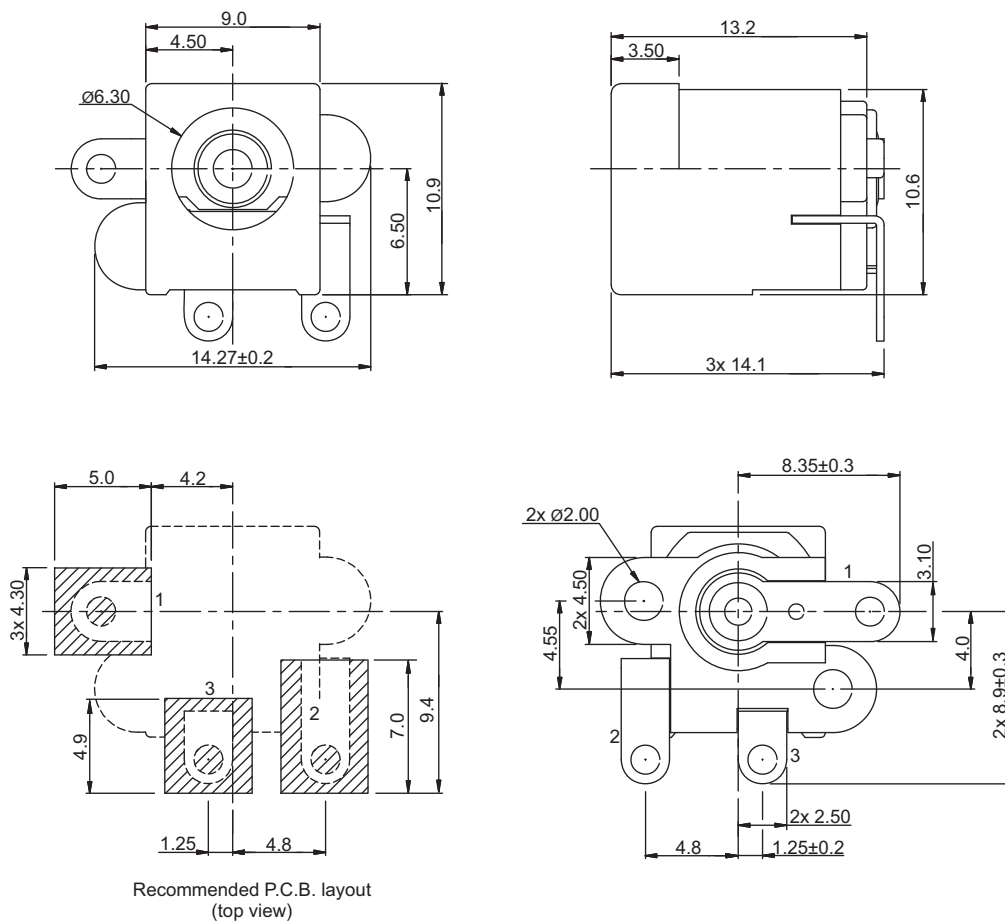
Mating parts series



RoHS
compliant

Mechanical dimensions

Unit: mm



Tolerances		
Linear	X	± 0.30
	.XX	± 0.20

Part numbering guide

5830 — G

Series

Contact

G = 2.00 mm

J = 2.50 mm

* standard

