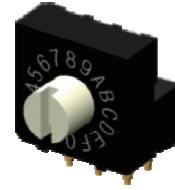


SW-RV Series Rotary Switch 10 x 10 mm Right Angle

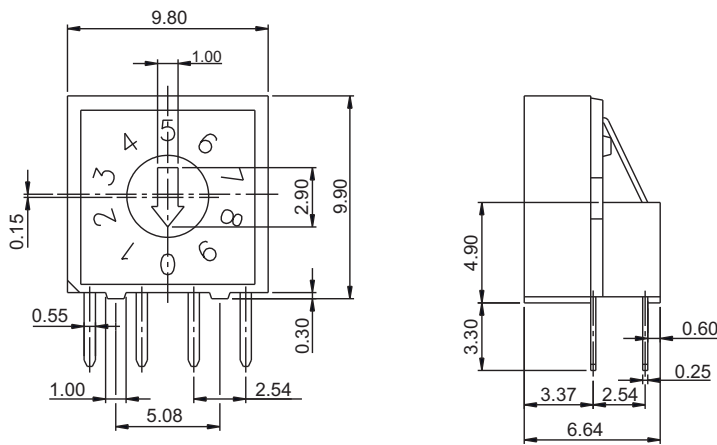
General specifications

Housing material	High temperature plastic, UL94V-0, color: black
Actuator material	High temperature plastic, UL94V-0, color: white
Contact material	Copper alloy, plating: gold
Current rating	25 mA
Voltage rating	24 VDC
Contact resistance	100 mΩ max.
Insulator resistance	100 MΩ min. @ 250 VDC
Dielectrical withstanding	250 VAC for 1 min
Operating temperature	-25 °C to +80 °C
Operating force	400 gf max.
Durability	20000 cycles
Soldering	Lead free wave soldering process



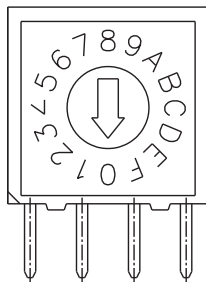
Mechanical dimensions

Unit: mm

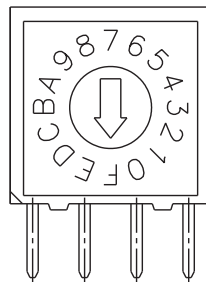


Recommended P.C.B. layout (4+1)

RV4AF10R



RV4AF16R
real codes printed



RV4AF16C
codes revers printed

Coding table						
Type	Position		Code			
	1xR	16C	1	2	4	8
10R 16R 16C	0	F	•	•	•	•
	1	E	•	•	•	•
	2	D	•	•	•	•
	3	C	•	•	•	•
	4	B	•	•	•	•
	5	A	•	•	•	•
	6	9	•	•	•	•
	7	8	•	•	•	•
	8	7	•	•	•	•
	9	6	•	•	•	•
16R 16C	A	5	•	•	•	•
	B	4	•	•	•	•
	C	3	•	•	•	•
	D	2	•	•	•	•
	E	1	•	•	•	•
	F	0	•	•	•	•

○ ON • OFF

Tolerances	
Linear	± 0.20

Part numbering guide

SW-RV	4	H	AF	10	R	V	B
Series	Solder pins 4 = 4+1 3 = 3+3 2 = 3+2	Actuator length H = 7.3 mm M = 3.2 mm (not available for 4+1 pins) (leave empty for recessed actuator)		Steps 10 = 10 16 = 16	Code no. printing R = Real codes C = Reverse (only available for 16 steps)	Material V = Lead free Q = Halogen free	Packing B = Tube

* standard

