

3208 Series

SCSI Pin Type IDC Male or Female

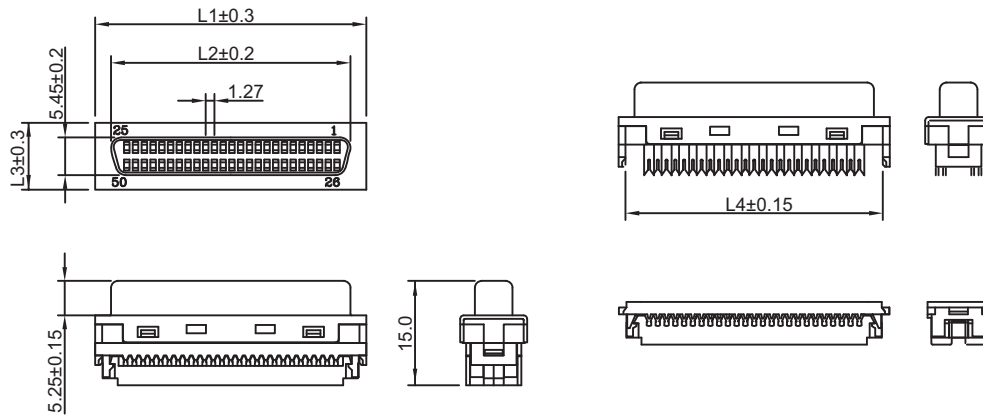
General specifications

Insulator material	PBT, UL94V-0
Contact material	Phosphor bronze
Shell/ bracket	Steel, plating: nickel over copper
Current rating	1 A
Contact resistance	35 mΩ max.
Insulator resistance	500 MΩ min.
Dielectrical withstanding	500 VAC for 1 min
Operating temperature	-55 °C to +105 °C
Mating parts series	
Female: 3203-M, 3204-M / Male: 3200, 3201, 3202, 3203-F	

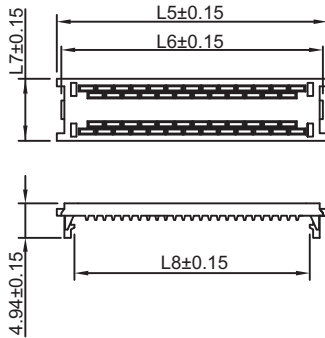


Mechanical dimensions

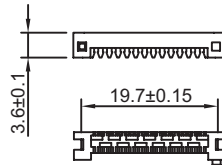
Unit: mm



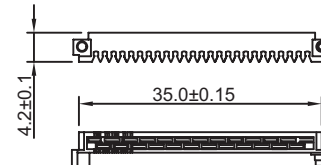
Wire holder



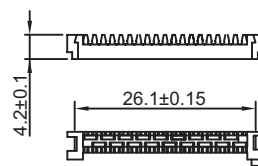
26 contacts



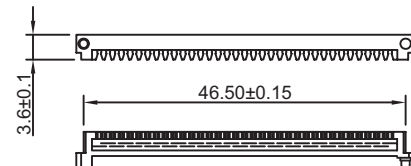
50 contacts



36 contacts



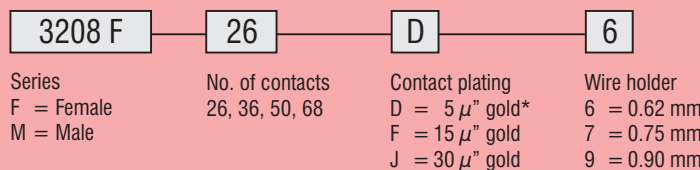
68 contacts



Contacts	L1	L2	L3	L4	L5	L6	L7	L8
26	24.00	19.46	9.30	22.00	24.00	22.60	8.00	18.80
36	30.40	29.80	8.40	28.35	30.20	29.00	8.00	25.21
50	39.20	34.70	9.30	37.30	38.30	37.90	9.00	34.10
68	50.70	46.20	9.30	48.70	50.85	49.53	9.00	45.70

Tolerances		
Linear	X	± 0.30
	.X	± 0.25
	.XX	± 0.15

Part numbering guide



* standard

