

Series 43107 RCA Jack / Cinch Full Metal

Material

Base: C.R.S. steel tin plated
 Color washer: PBT + 15% glass fiber
 Contact: Brass

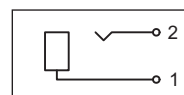
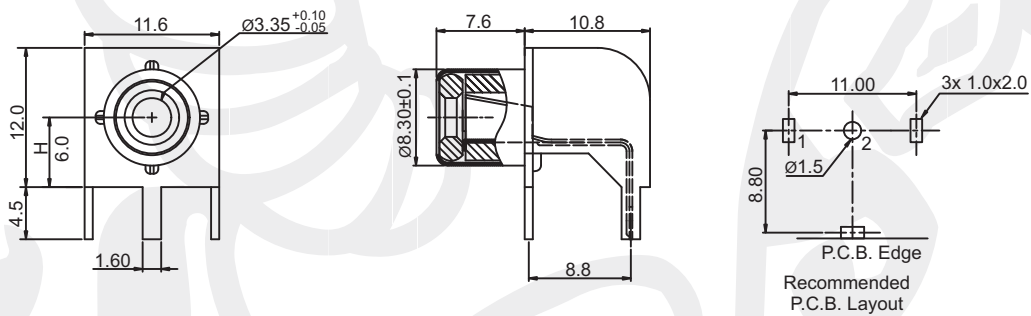
43107Z



Electrical

Rating: 0.2 Amp @ 50 VDC
 Contact resistance: 30 mΩ max.
 Insulator resistance: 100 MΩ min.
 Dielectrical withstanding: 500 VAC/minute
 Operating temperature: -40°C ~ +70°C
 Durability: 500 cycles

43107Z



Tolerances	
Linear	<6 ± 0.1
	6-20 ± 0.2
	>20 ± 0.3



All dim. in mm

43107 Z — **01**

Series
43107Z

Color code
 01 = black 05 = green
 02 = red 06 = orange
 03 = white 07 = yellow
 04 = blue

Packing
Bulk