

Series 43602 6x RCA Jack / Cinch Horizontal

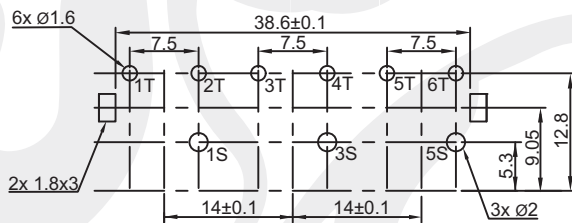
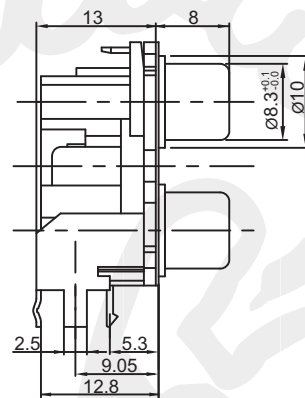
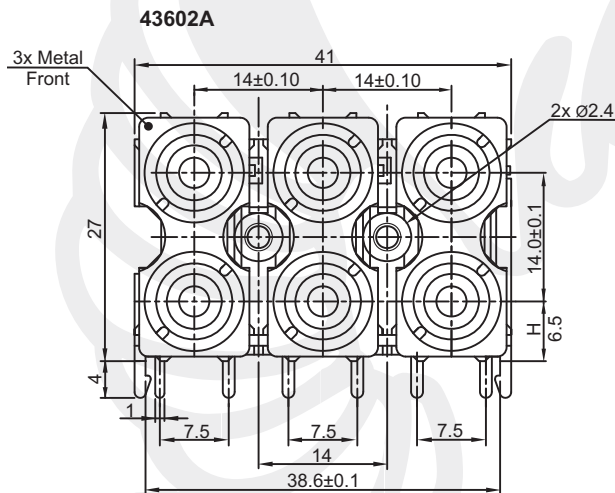
Material

Base, insulator: ABS
 Color washer: PBT + 15% glass fiber
 Contact break / needle: H65 Brass / QSn 6.5-0.1

Electrical

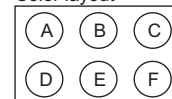
Rating: 0.2 Amp @ 50 VDC
 Contact resistance: 30 mΩ max.
 Insulator resistance: 100 MΩ min.
 Dielectrical withstanding: 500 VAC/minute
 Operating temperature: -40°C ~ +70°C
 Durability: 500 cycles

43602A

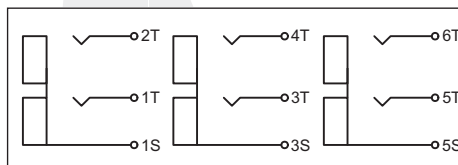


Recommended P.C.B. Layout

Color layout



Code	A D	B E	C F
01	green red	blue white	red black
02	green red	blue white	red orange
03	t.b.d. by customer		



Tolerances	
Linear	<6 ± 0.1 6-20 ± 0.2 >20 ± 0.3



All dim. in mm

43602 A — **01**

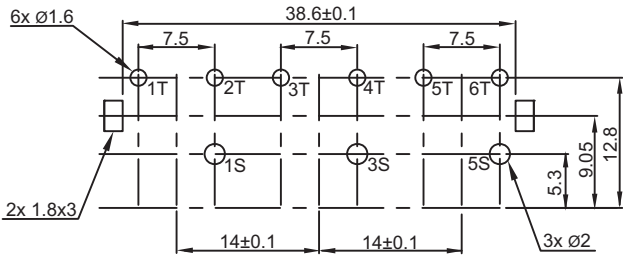
Series 43602A
 43602B
 43602C

Color code see table

Packing Box

Series 43602 6x RCA Jack / Cinch Horizontal

43602B

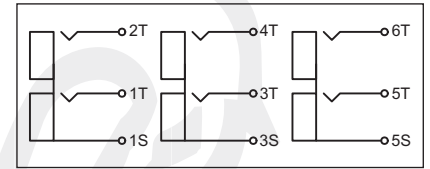
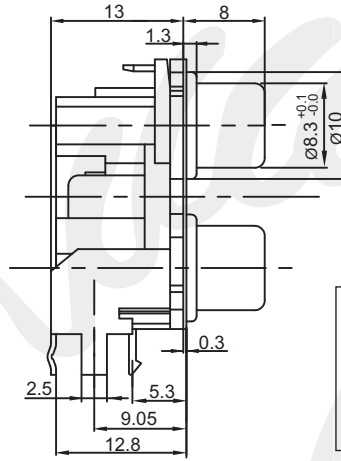
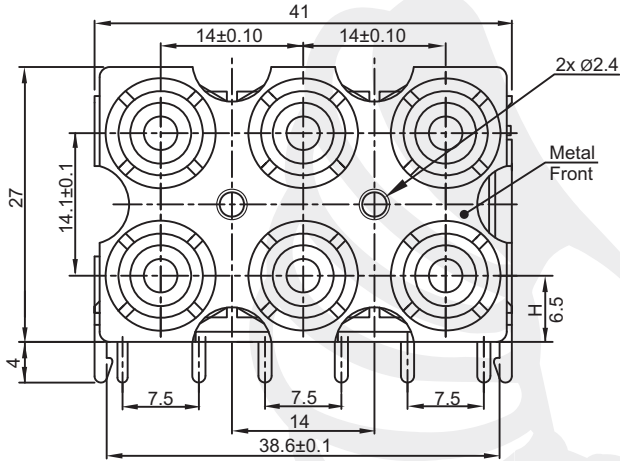


Recommended P.C.B. Layout

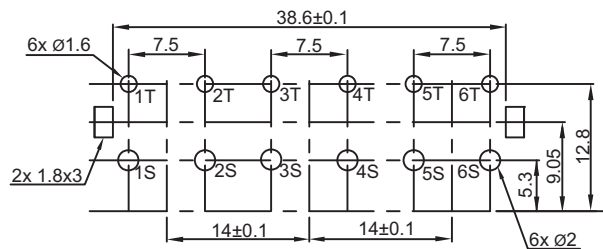
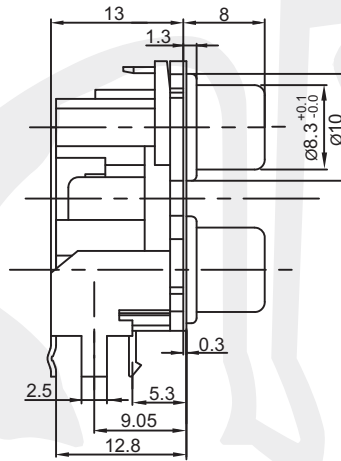
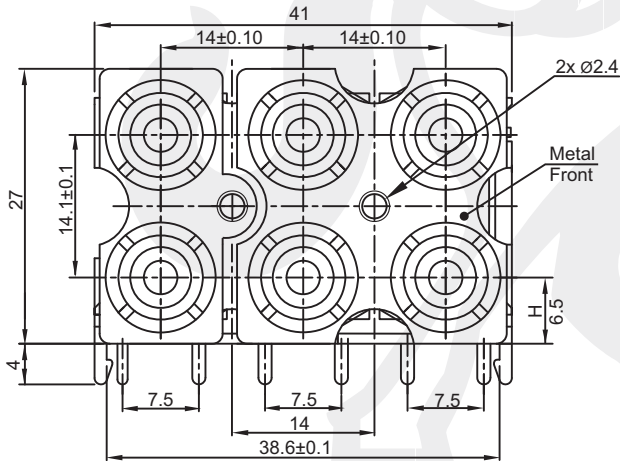
43602B



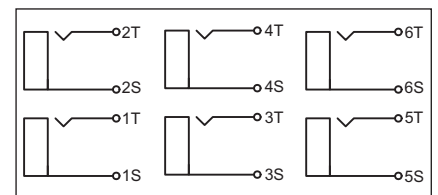
43602C



43602C



Recommended P.C.B. Layout



Tolerances	
Linear	<6 ± 0.1
	6-20 ± 0.2
	>20 ± 0.3



All dim. in mm