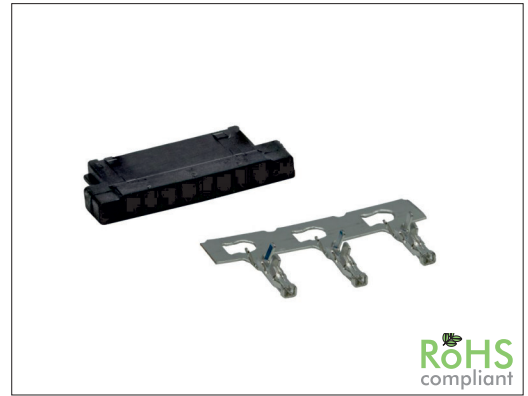


# 2119 Series

# 1.25 mm FI Housing and Terminal

### General specifications

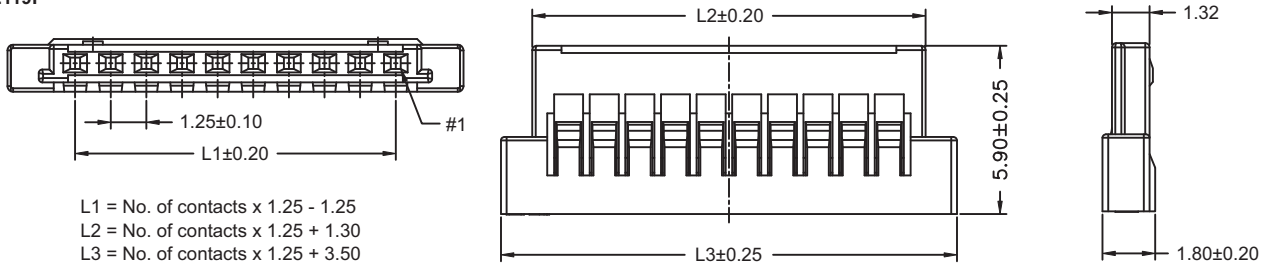
Insulator material	Nylon 66, UL94V-0, color: black
Contact material	Phosphor bronze
Current rating	1 A
Voltage rating	200 V AC/DC
Contact resistance	40 mΩ max.
Insulator resistance	100 MΩ min.
Dielectrical withstanding	500 VAC for 1 min
Operating temperature	-25 °C to +85 °C
<b>Mating parts series</b>	
2119-H	



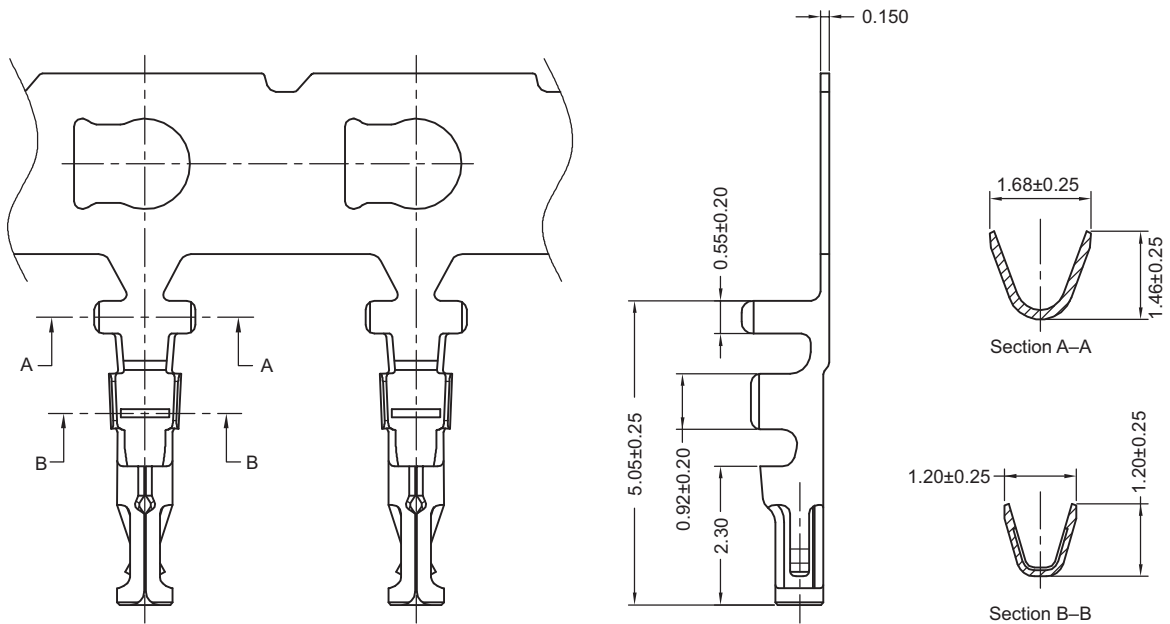
### Mechanical dimensions

Unit: mm

#### 2119P



#### 2119T



Wire range: AWG 28 to 32

Tolerances		
Linear	X	± 0.25
	.XX	± 0.15
	.XXX	± 0.05

### Part numbering guide

<b>2119 P</b>	<b>02</b>	<b>T</b>
Series P = Housing T = Terminal	No. of contacts 02 to 15, 20, 25, 30 (leave blank for terminal)	Contact plating T = Tin B = Flashgold (leave blank for housing)

\* standard

