

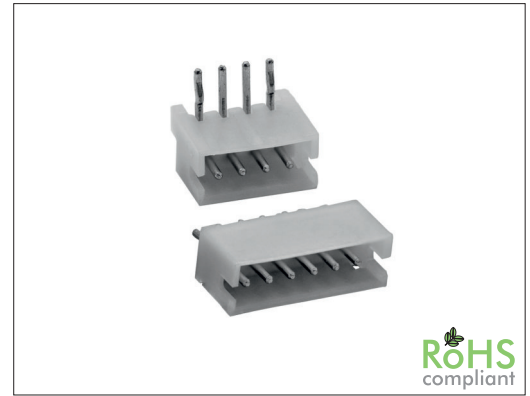
2150 Series 1.50 mm Pin Header

General specifications

Insulator material	Nylon 46, UL94V-0, color: nature
Contact material	Brass
Current rating	1 A
Voltage rating	50 V AC/DC
Contact resistance	20 mΩ max.
Insulator resistance	500 MΩ min.
Dielectrical withstanding	500 VAC for 1 min
Operating temperature	-25 °C to +85 °C
Soldering	Lead free wave soldering process

Mating parts series

2150-PT or cable assembly

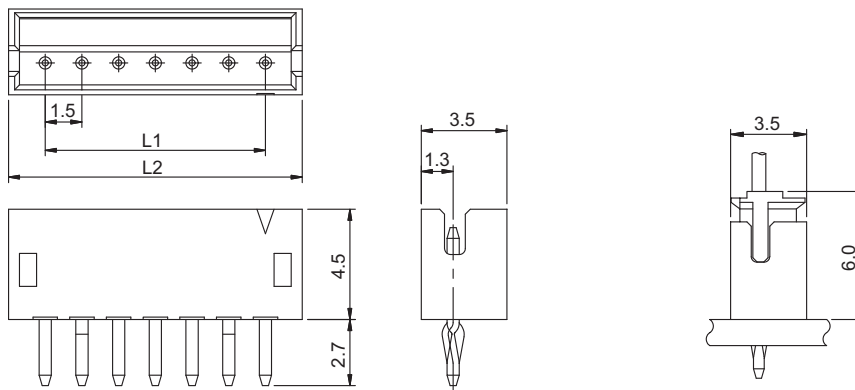


RoHS
compliant

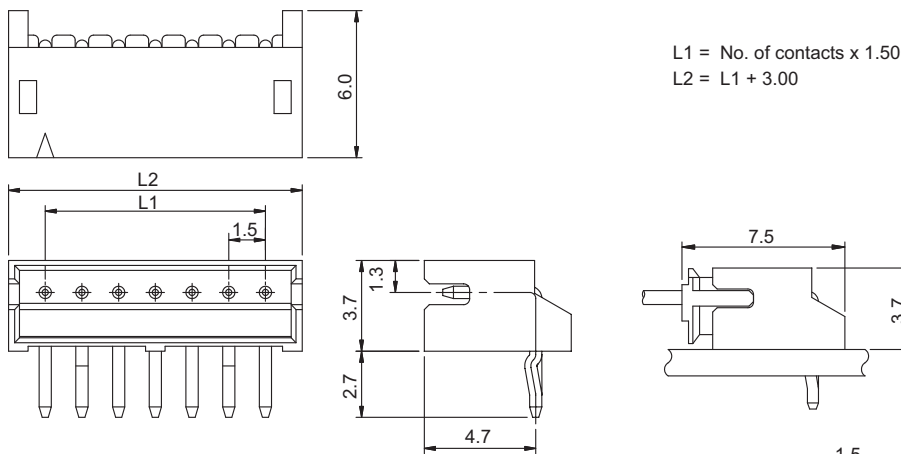
Mechanical dimensions

Unit: mm

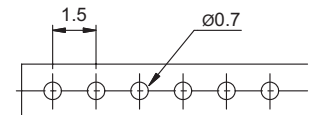
2150S



2150R



L1 = No. of contacts x 1.50 - 1.50
L2 = L1 + 3.00



Recommended
P.C.B. layout

Tolerances

Linear	X	± 0.30
	.XX	± 0.20
	.XXX	± 0.10

Part numbering guide

2150 S

02

T

Series

S = THT straight
R = THT right angle

No. of contacts

02 to 13

Contact plating

T = Tin

* standard

