

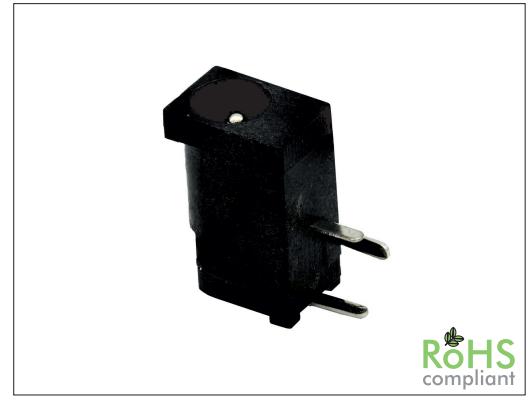
5850 Series

DC Jack Pin 1.00 or 1.30 mm

General specifications

Insulator material	PBT, UL94V-0
Contact material	Brass, plating: silver
Current rating	2 A
Voltage rating	16 VDC
Contact resistance	100 mΩ max.
Insulator resistance	100 MΩ min.
Dielectrical withstanding	500 VAC for 1 min
Operating temperature	-25 °C to +70 °C
Durability	5000 cycles
Soldering	Lead free wave soldering process

Mating parts series

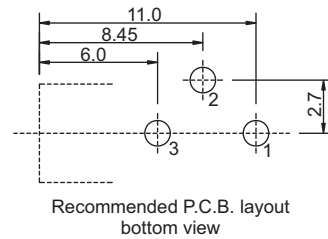
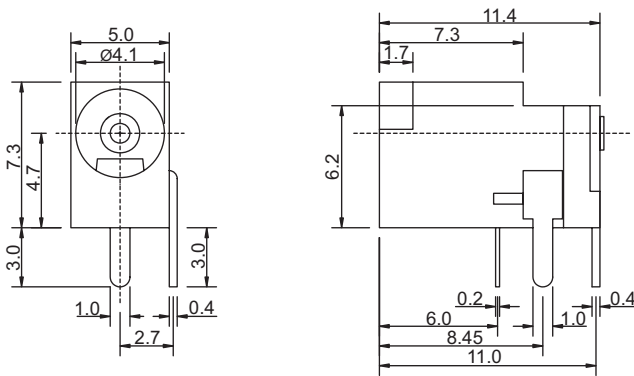


RoHS
compliant

Mechanical dimensions

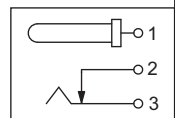
Unit: mm

5850x0
w/o kink

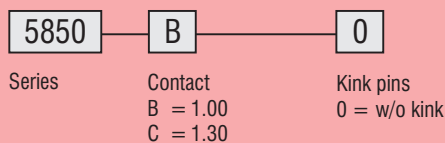


Recommended P.C.B. layout
bottom view

Tolerances	
Linear	<6 ± 0.10
	6-20 ± 0.20



Part numbering guide



* standard

