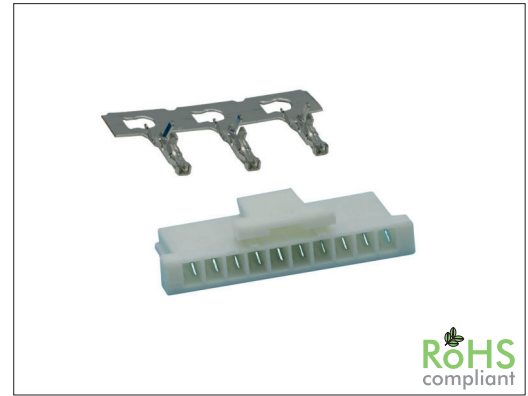


2123 Series

1.25 mm Housing and Terminal

General specifications

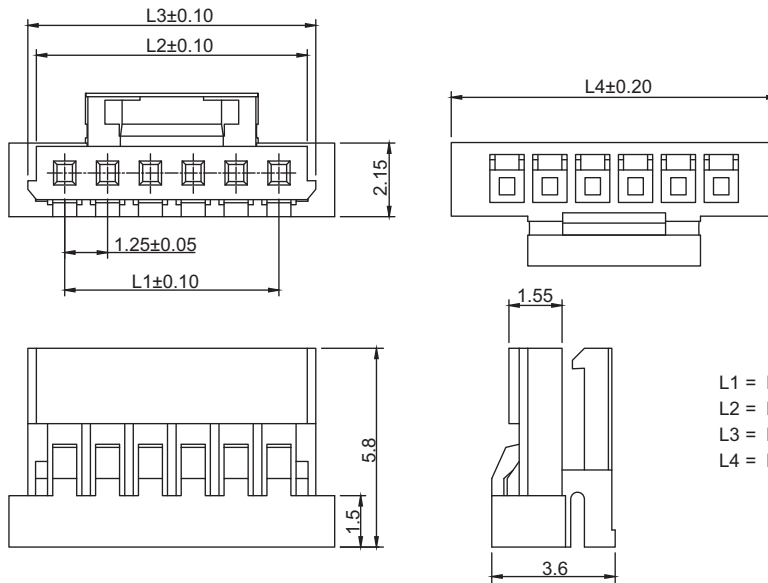
Insulator material	Nylon 66, UL94V-0, color: natural
Contact material	Phosphor bronze, plating: tin
Current rating	1 A
Voltage rating	150 V AC/DC
Contact resistance	30 mΩ max.
Insulator resistance	500 MΩ min.
Dielectrical withstanding	500 VAC for 1 min
Operating temperature	-25 °C to +85 °C
Mating parts series	
2123-H	



Mechanical dimensions

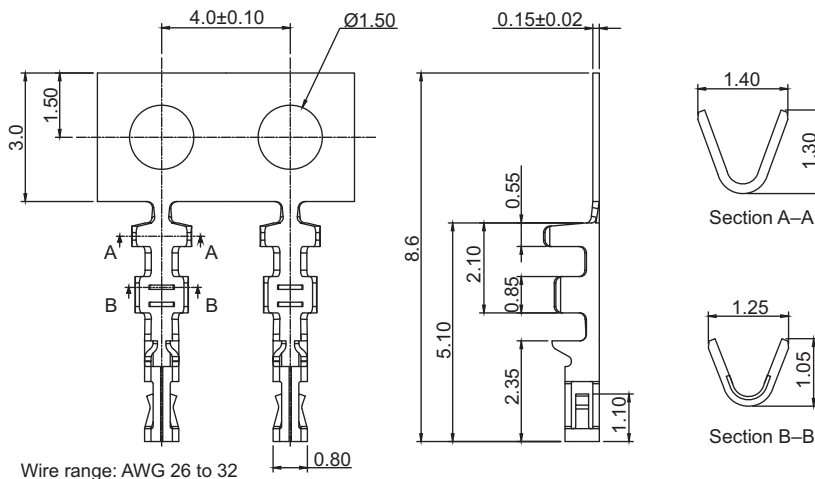
Unit: mm

2123P



- L1 = No. of contacts x 1.25 - 1.25
- L2 = L1 + 1.65
- L3 = L1 + 2.15
- L4 = L1 + 3.25

2123T



Wire range: AWG 26 to 32

Tolerances		
Linear	X	± 0.30
	.XX	± 0.20
	.XXX	± 0.10

Part numbering guide

2123 P

02

Series
P = Housing
T = Terminal

No. of contacts
02 to 20
(leave blank for terminal)

* standard

