

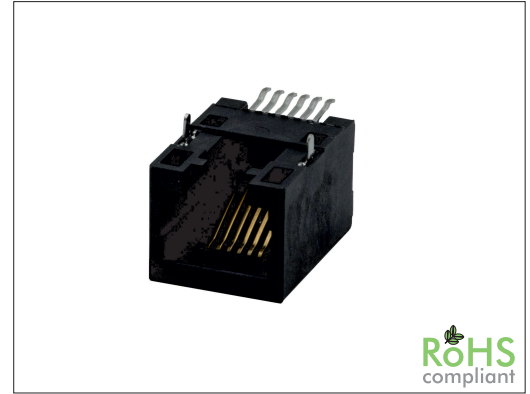
62224 Series

SMT RJ11 / RJ12 Side Entry

General specifications

Insulator material	High temperature thermoplastic, UL94V-0, color: black
Contact material	Phosphor bronze, plating: gold over nickel
Current rating	1.5 A
Voltage rating	125 VAC
Contact resistance	35 mΩ max.
Insulator resistance	1000 MΩ min. @ 500 VDC
Operating temperature	-40 °C to +85 °C
Soldering	JEDEC lead free reflow soldering process
Durability	750 cycles

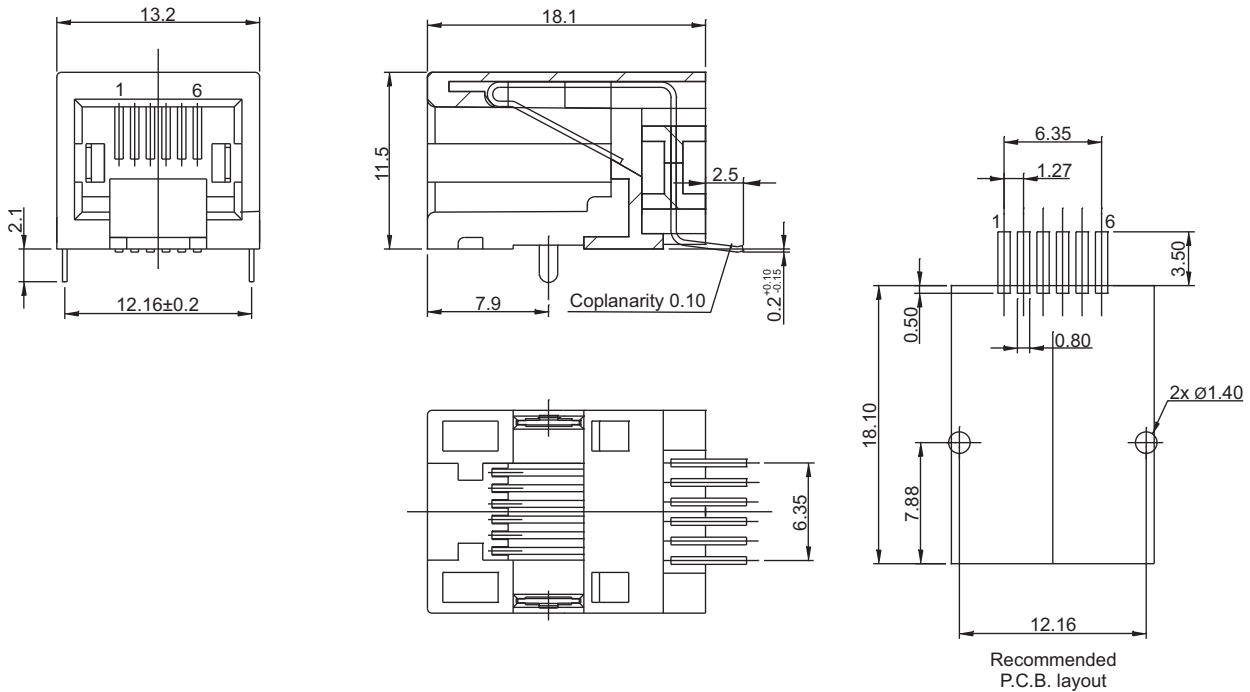
Mating parts series



RoHS
compliant

Mechanical dimensions

Unit: mm



Tolerances		
Linear	X	± 0.25
	.XX	± 0.15

Part numbering guide

62224	C	4
Series RJ11 6P4C RJ12 6P6C	Contact plating C = 3 μ" gold D = 6 μ" gold F = 15 μ" gold J = 30 μ" gold K = 50 μ" gold	No. of contacts 4, 6

* standard

