

5984 Series

AC Inlet Socket w/ Power Switch Screw Mounting

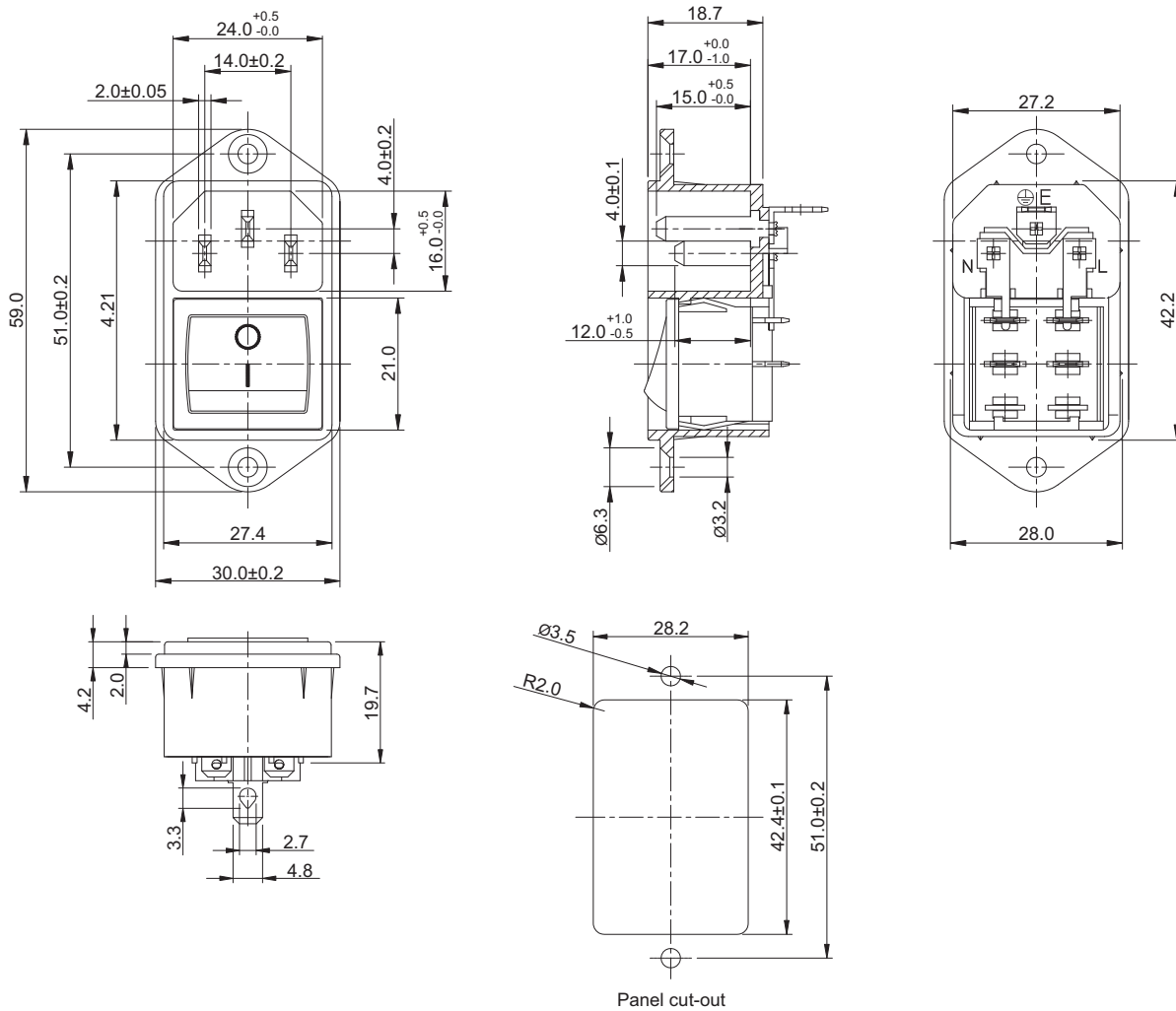
General specifications

Insulator material	Thermoplastic w/ glassfiber, UL94V-0 to UL94V-2
Current rating	10 A
Voltage rating	250 VAC
Contact resistance	30 mΩ max.
Insulator resistance	100 MΩ min. @ 500 VDC
Dielectrical withstanding	2000 VAC for 1 min
Durability	10000 cycles
Operation temperature	-25 °C to +85 °C
Soldering	280 °C for 3 sec
Circuit	DPST ON-OFF
Safety approvals available, certificates on request	



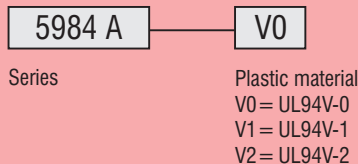
Mechanical dimensions

Unit: mm



Tolerances	
Linear	X.X ± 0.10
	XX.X ± 0.20

Part numbering guide



* standard

