

49608 Series

SMB Jack Straight Board-In

General specifications

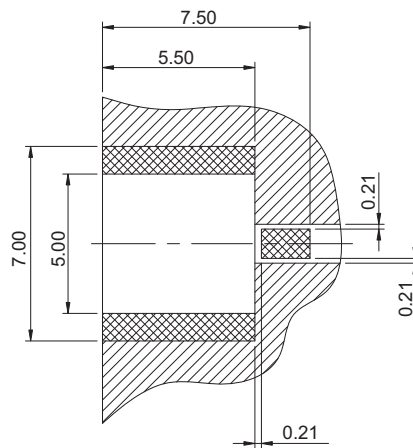
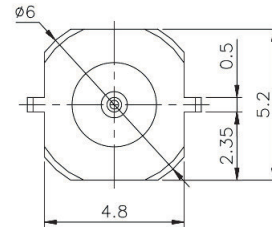
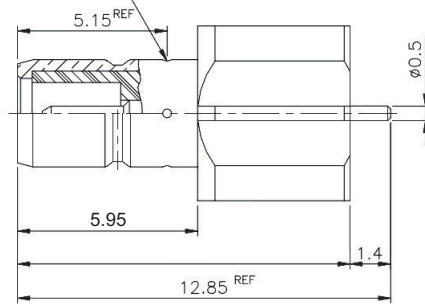
Insulator material	Teflon
Contact material	Brass, plating: gold
Body material	Brass, plating: gold
Impedance	50 Ω
Frequency range	0 to 4 GHz
Contact resistance	Center: 6 mΩ max. / outer: 2.5 mΩ max.
Insulator resistance	1000 MΩ min.
VSWR	1.3 max.
Operation temperature	-65 C to +165 C
Durability	500 cycles



Mechanical dimensions

Unit: mm

STAKE IN 4 PLACES
EQUALLY SPACED 90°
APART



Recommended P.C.B. layout
Tolerances ±0.05

Tolerances

Linear	<6	± 0.2
	6 to 30	± 0.4
	>30	± 0.6

Part numbering guide

49608 S

50

Series

Impedance
50 = 50 Ω

* standard

