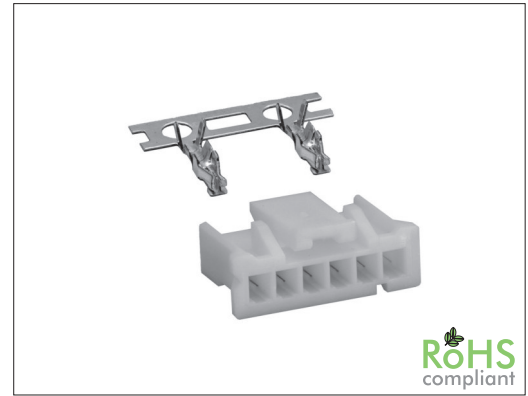


2205 Series

2.00 mm Housing w/ Lock, Terminal

General specifications

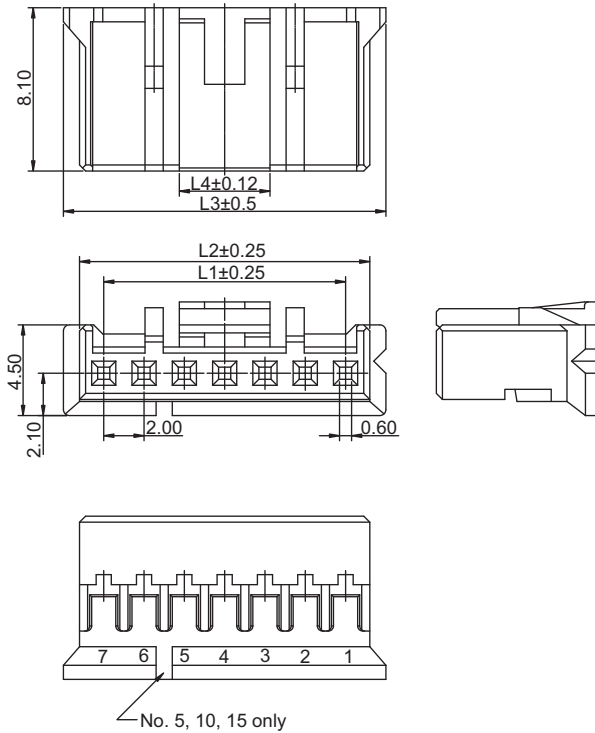
Insulator material	Nylon 66, UL94V-0, color: white
Contact material	Phosphor bronze, plating: tin
Current rating	2.0 A
Voltage rating	100 V AC/DC
Contact resistance	10 mΩ max.
Insulator resistance	1000 MΩ min.
Dielectrical withstanding	800 VAC for 1 min
Operating temperature	-25 °C to +85 °C
Mating parts series	
2205-H, 2205-V, 2205-R, 2205-S	



Mechanical dimensions

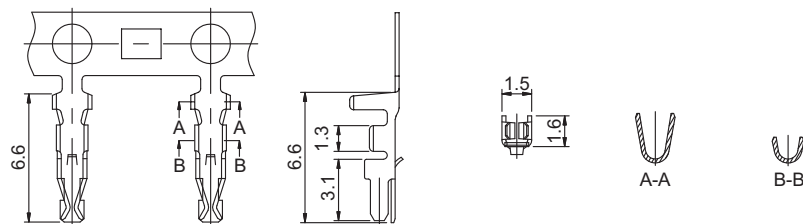
Unit: mm

2205P



No. of contacts	L1	L2	L3	L4
02	2.00	4.40	6.00	2.60
03	4.00	6.40	8.00	3.80
04	6.00	8.40	10.00	4.50
05	8.00	10.40	12.00	4.50
06	10.00	12.40	14.00	4.50
07	12.00	14.40	16.00	4.50
08	14.00	16.40	18.00	4.50
09	16.00	18.40	20.00	4.50
10	18.00	20.40	22.00	11.20
11	20.00	22.40	24.00	11.20
12	22.00	24.40	26.00	11.20
13	24.00	26.40	28.00	11.20
14	26.00	28.40	30.00	11.20
15	28.00	30.40	32.00	11.20
16	30.00	32.40	34.00	15.20

2205T1 / 2205T2



Tolerances		
Linear	X	± 0.25
	.XX	± 0.12

Part numbering guide

2205 P

02

Series
 P = Housing
 T1 = Terminal AWG 22 to 26
 T2 = Terminal AWG 24 to 28

No. of contacts
 02 to 16
 leave blank for terminal

* standard

