

5024 Series

SMT M.2 Socket 75 Pin, A-Type

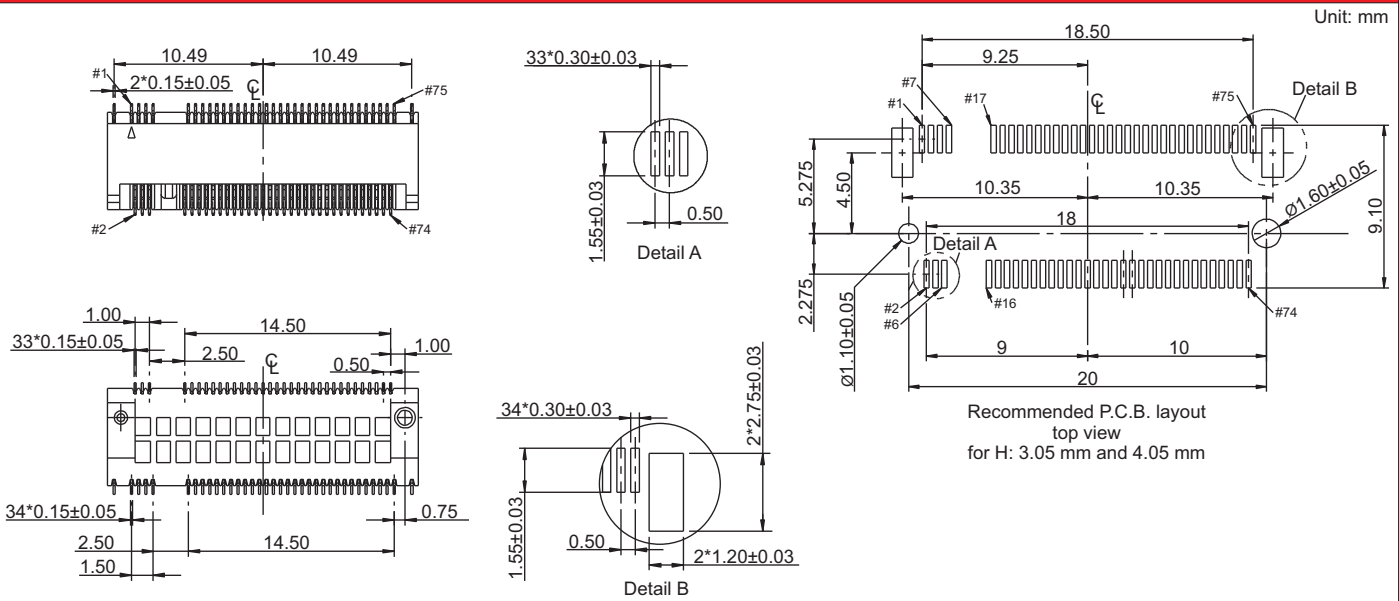
General specifications

Insulator material	LCP, UL94V-0
Contact material	Copper alloy, plating: gold over nickel
Current rating	0.5 A
Voltage rating	35 V
Contact resistance	50 mΩ max.
Insulator resistance	500 MΩ min.
Dielectrical withstanding	200 VAC for 1 min
Operating temperature	-40 °C to +80 °C
Soldering	JEDEC lead free reflow soldering process

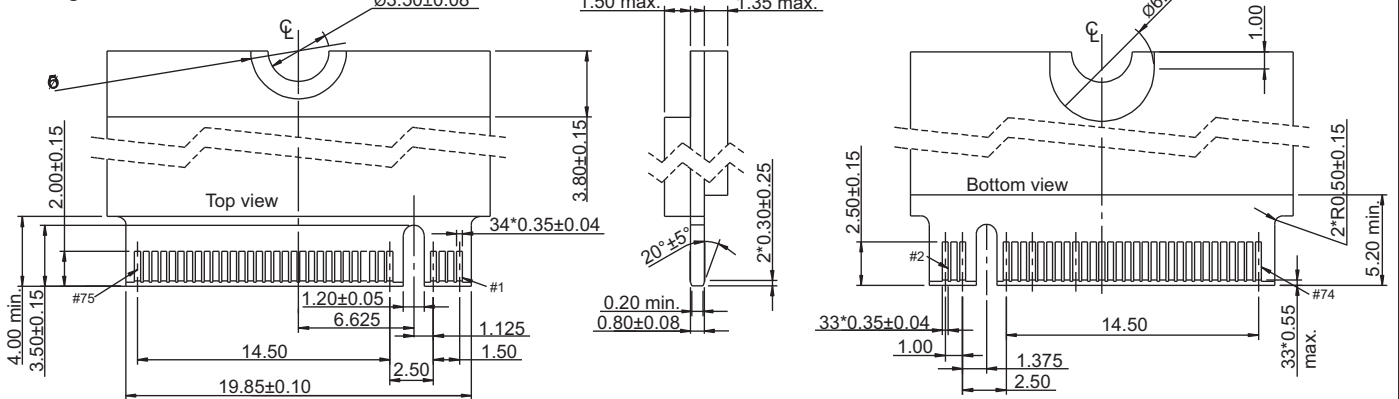
Mating parts series



Mechanical dimensions



Mating P.C.B. dimensions



Tolerances		
Linear	X.	± 0.30
	X	± 0.20
	.XX	± 0.10

continued on page 2

Part numbering guide

5024 A	B	32	R
Series A = Pins 1-7, 16-75	Contact plating B = Flashgold	Height H 32 = 3.05 mm	Packing R = Reel

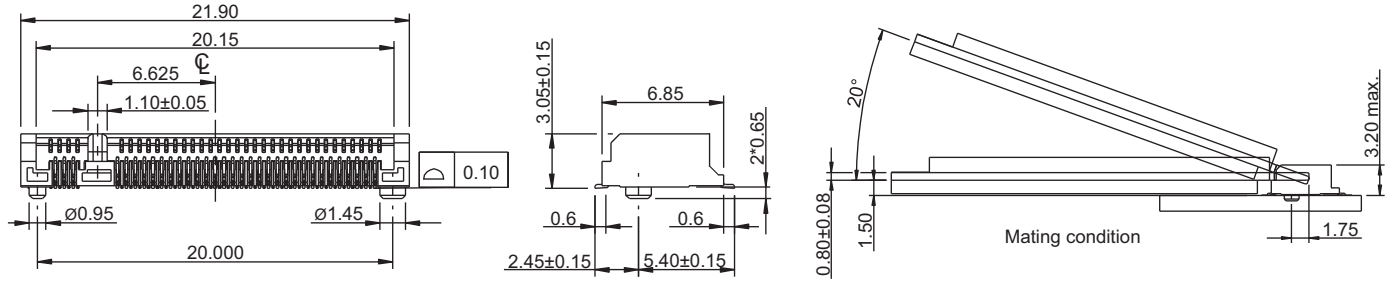
* standard



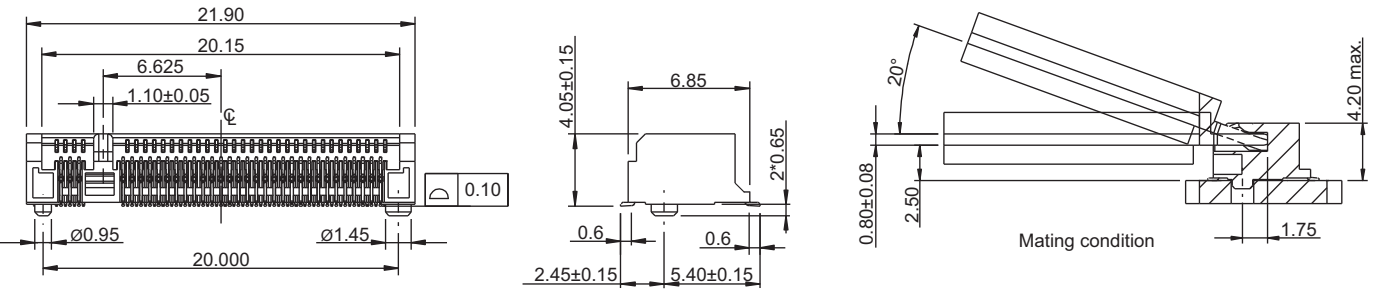
Mechanical dimensions

Unit: mm

H: 3.05 mm



H: 4.05 mm



Tolerances		
Linear	X.	± 0.30
	.X	± 0.20
	.XX	± 0.10

