

# 5826 Series

# SMT DC Jack Pin 2.00 or 2.50 mm

### General specifications

Insulator material	Nylon PA9T, UL94V-0
Contact material	Copper alloy, plating: nickel / silver
Current rating	2.5 A
Voltage rating	16 VDC
Contact resistance	30 mΩ max.
Insulator resistance	100 MΩ min.
Dielectrical withstanding	250 VAC for 1 min
Operating temperature	-25 °C to +85 °C
Soldering	JEDEC lead free reflow soldering process

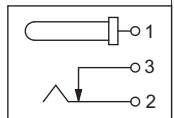
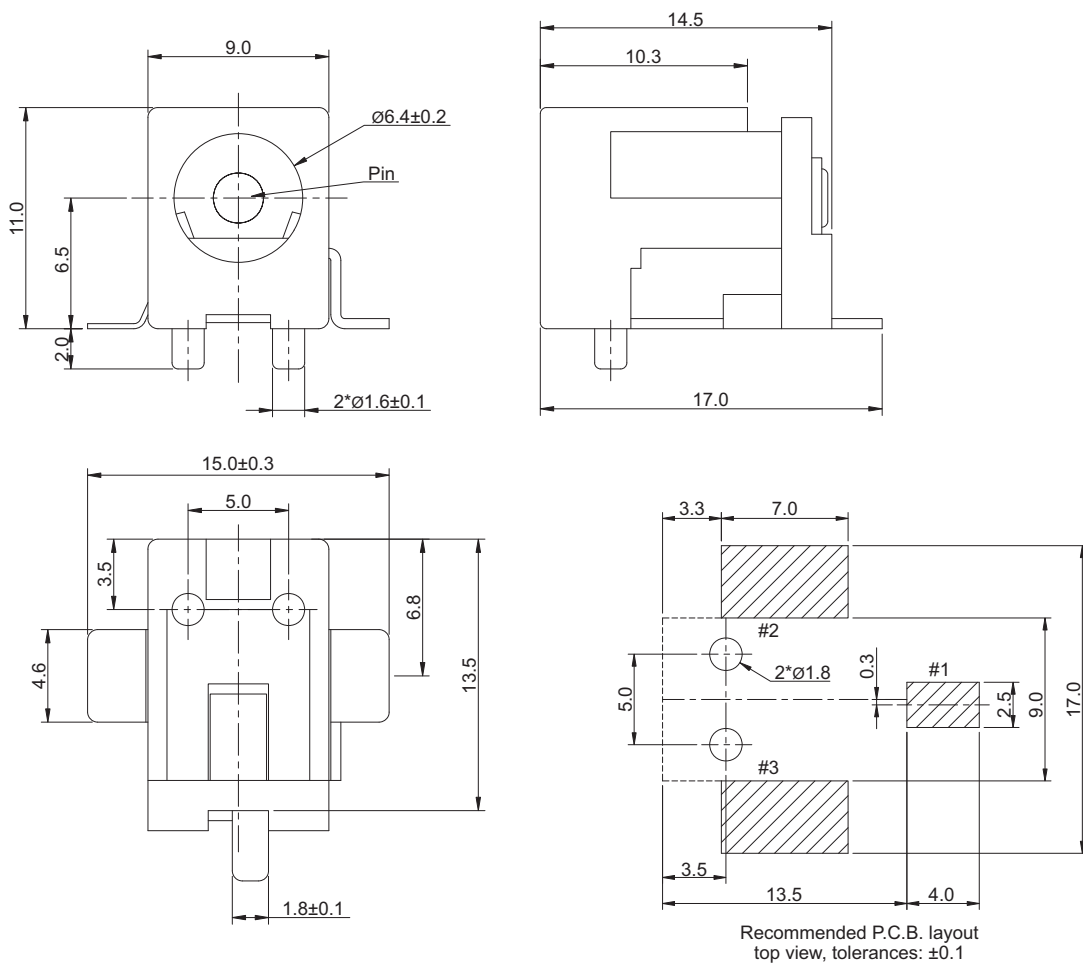
### Mating parts series



RoHS  
compliant

### Mechanical dimensions

Unit: mm



#### Tolerances

Linear	<6	$\pm 0.10$
	6 to 20	$\pm 0.20$
	>20	$\pm 0.30$

### Part numbering guide

5826

G

Series

Contact

G = 2.00 mm

J = 2.50 mm

\* standard

