

4171 Series

3.5 mm SMT Earphone Jack

General specifications

Insulator material	PC / PA46, UL94V-0
Contact material	Phosphor bronze or brass, plating: silver
Current rating	0.5 A
Voltage rating	30 VDC
Contact resistance	30 mΩ max.
Insulator resistance	100 MΩ min. @ 500 VDC
Dielectrical withstanding	500 VAC for 1 min
Durability	5000 cycles
Soldering	JEDEC lead free reflow soldering process

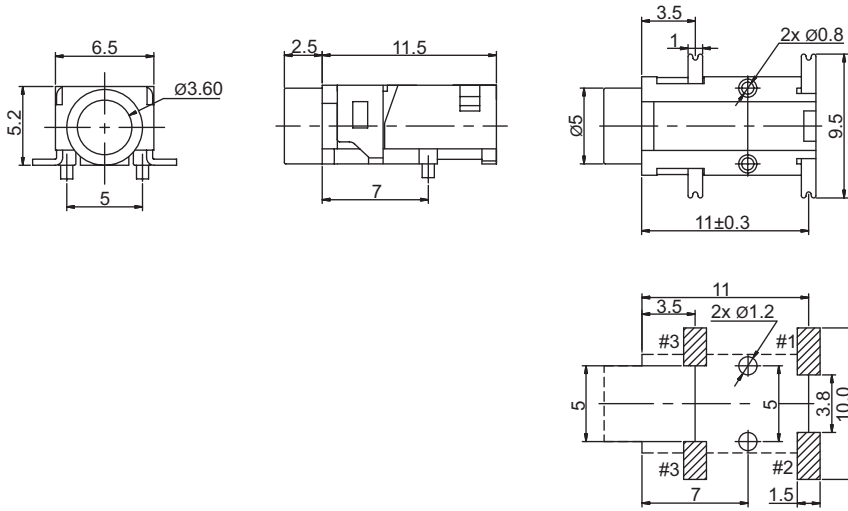
Mating parts series



RoHS
compliant

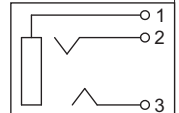
Mechanical dimensions

Unit: mm



Recommended P.C.B. layout
bottom view, tolerances: ±0.10

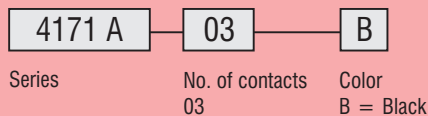
4171A03



Tolerances

Linear	X	± 0.25
	.XX	± 0.13
	.XXX	± 0.05

Part numbering guide



* standard

